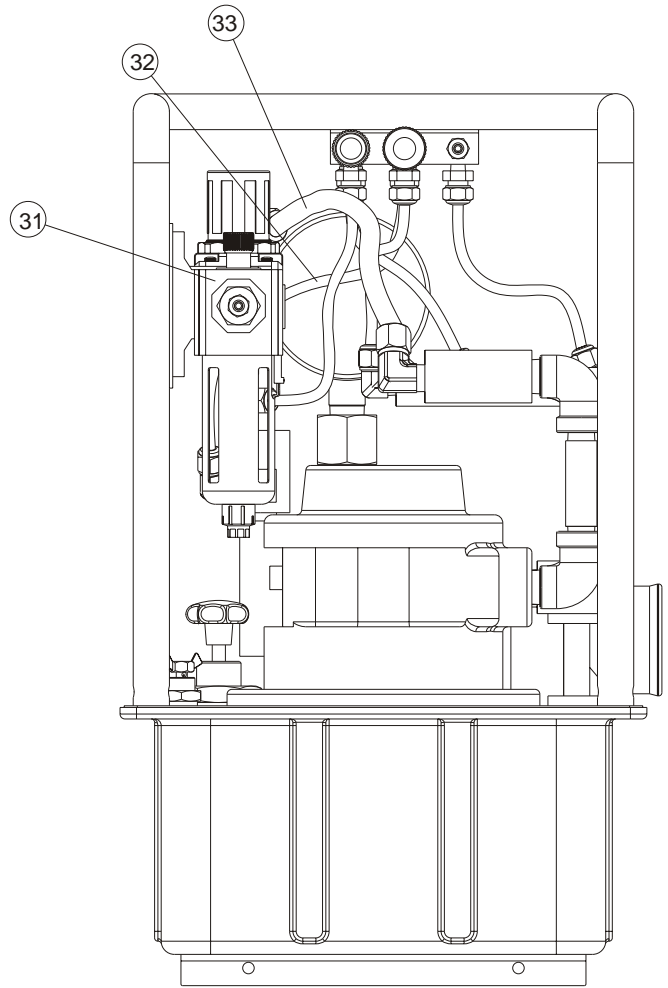
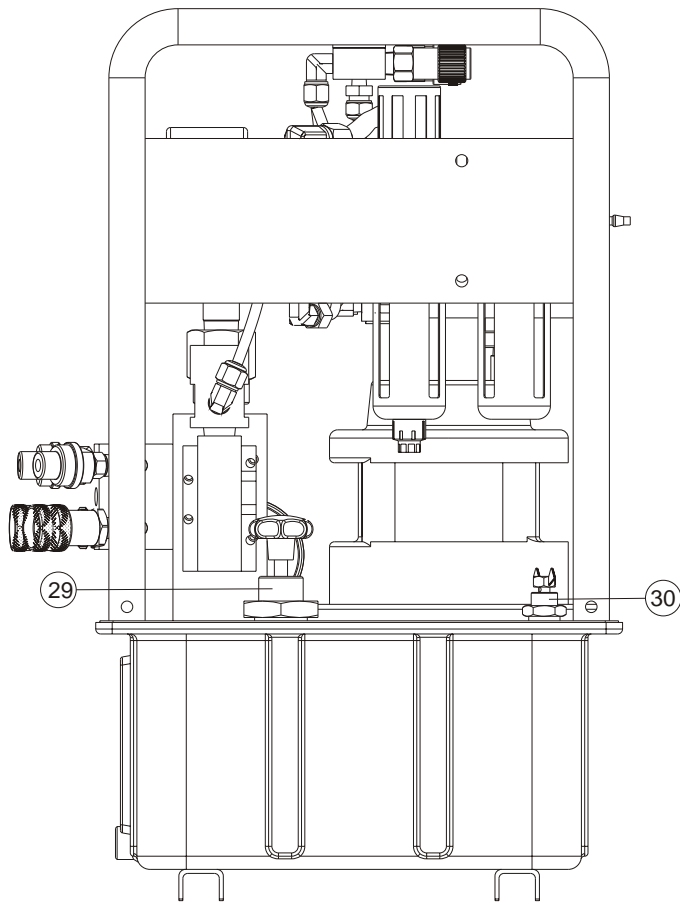
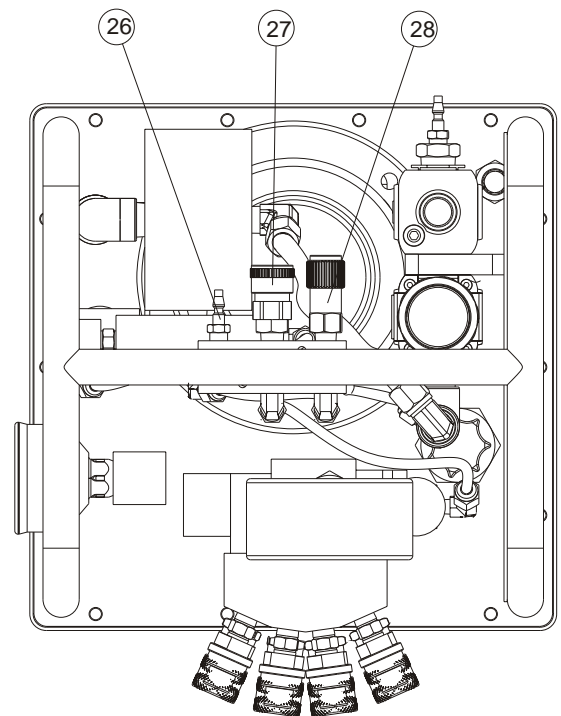


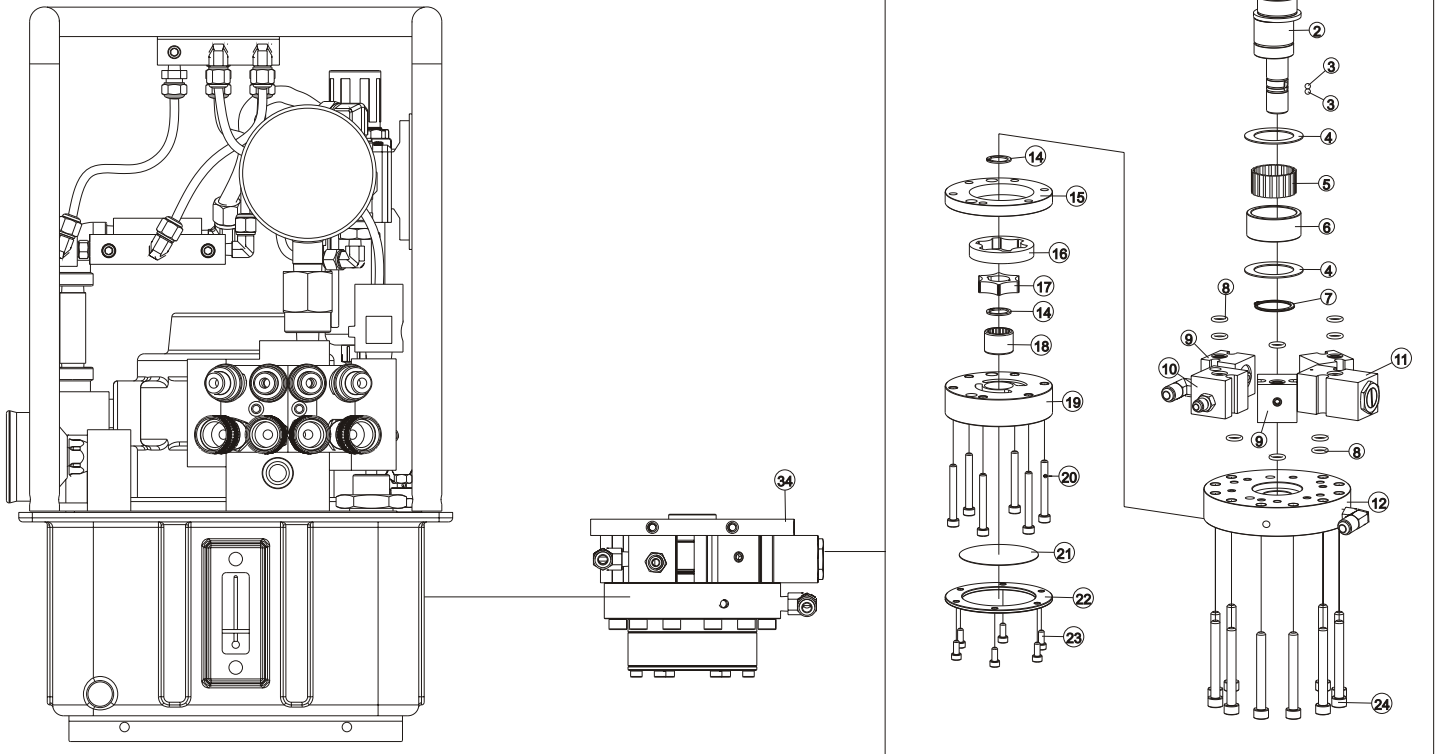
項次	零件名稱	數量	規格
1	油箱焊框	1	SPA554TQ-B01
2	油路切換閥組	1	SPA554TQ-B02
3	油座切換活塞組	1	SPA554TQ-B03
4	壓力錶	1	XHO2.5LM2N1B
5	三通接頭	1	SPA554TQ-B04
6	外框焊組	1	SPA554TQ-B05
7	消音器接座	1	SPA554TQ-B06
8	1/8"-90度接頭	3	SPA554TQ-B06
9	3/8"母三通	1	SPA554TQ-B07
10	1/4"-90度接頭	2	SPA554TQ-B08
11	風管接頭	3	SPA554TQ-B09
12	90度接頭	1	SPA554TQ-B10
13	泵浦本體組	1	SPA554TQ-B11
14	三通接頭	1	SPA554TQ-B12
15	排風接塊	1	SPA554TQ-B13

項次	零件名稱	數量	規格
16	消音蓋組	1	SPA554TQ-B14
17	90度立布	2	SPA554TQ-B15
18	3/8"立布	1	SPA554TQ-B16
19	冷卻銅管	1	SPA554TQ-B17
20	固定壓板	1	SPA554TQ-B18
21	1/2"PS錶座	1	SPA554TQ-B19
22	消音器	1	SPA554TQ-B20
23	1/4"快速接頭-公	1	SQB-1/4HM
24	1/4"快速接頭-母	1	SQB1/4HF
25	油面計	1	XZSL-3



項次	零件名稱	數量	規格
26	單手快速接頭-公	1	XIMA20PM-CN
27	小流量接頭-母	1	XICA20SM-CN
28	單手快速接頭-公	1	XIMA20SM-CN
29	調壓閥組	1	SPE554-AD-TQ
30	通氣螺栓組	1	SPE2-A-E1
31	三點組合	1	XZMACP401-15A-PT
32	PE管-6mm	1	SPE554TQ-B27
33	5/8"銅管	1	XUC5/8

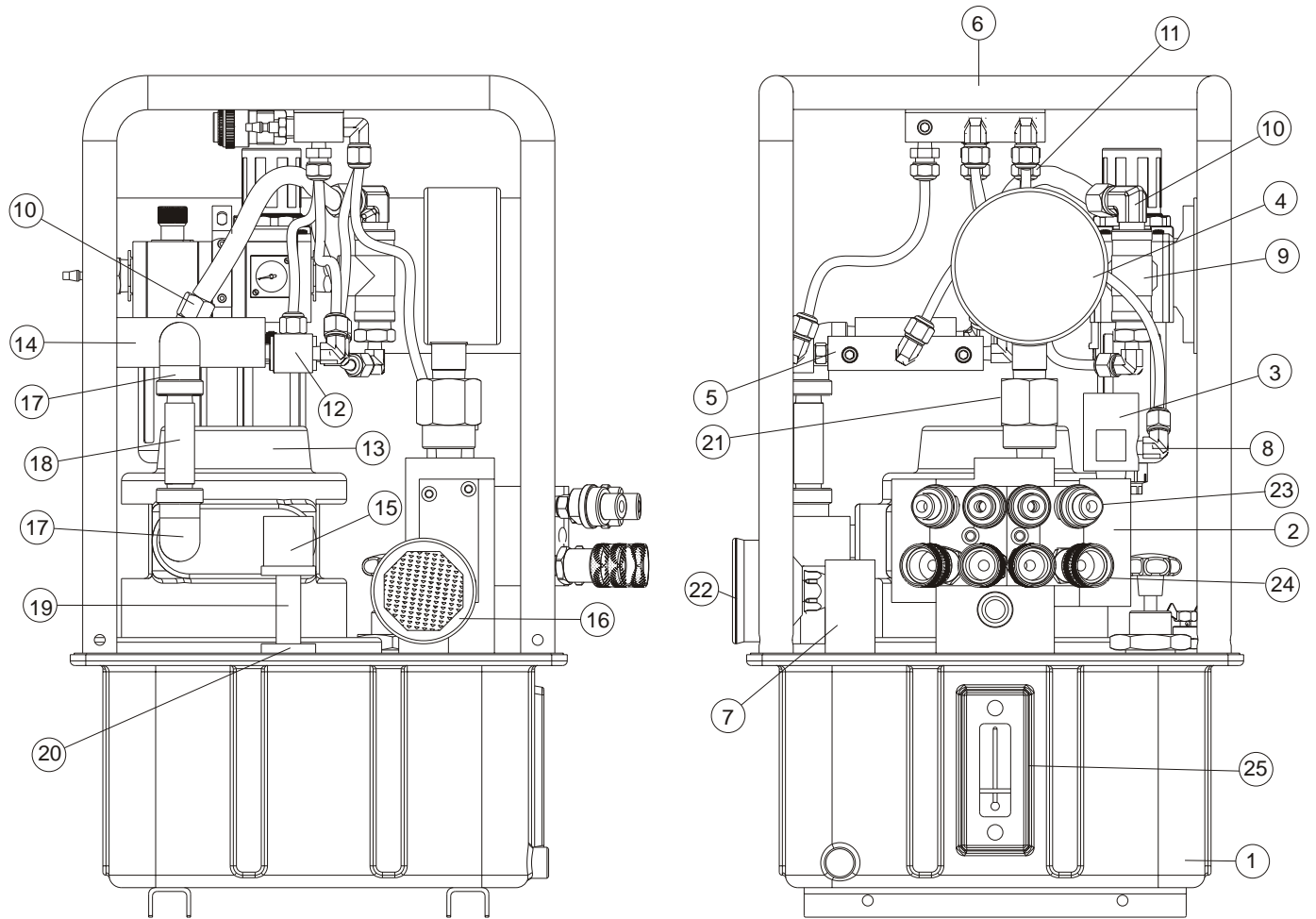




項次	零件名稱	數量	規格
1	底板	1	SPA554-D01
2	偏心軸	1	SPEA2-D06
* 3	鋼珠	2	XM3/16
* 4	偏心軸墊片	2	SPE2-D13
5	滾針軸承	1	XMKT354017
6	軸承套	1	SPE2-D07
* 7	C形扣環	1	XAS35
* 8	O形環	5	XBP010A
9	油泵塊組	3	SPA554-C-C2
10	出油接塊組	1	SPA554-C-C3
11	高低壓切換組	1	SPE2-B-A01
12	中板	1	SPE2-D02
14	C型扣環	2	XAISTW18
15	襯板	1	SPE2-D03

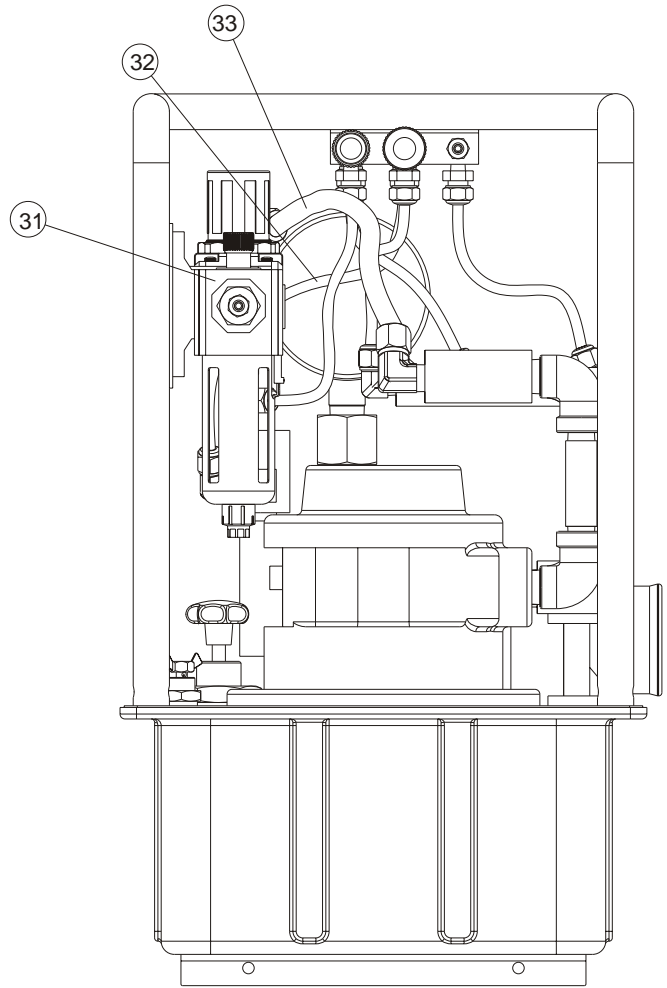
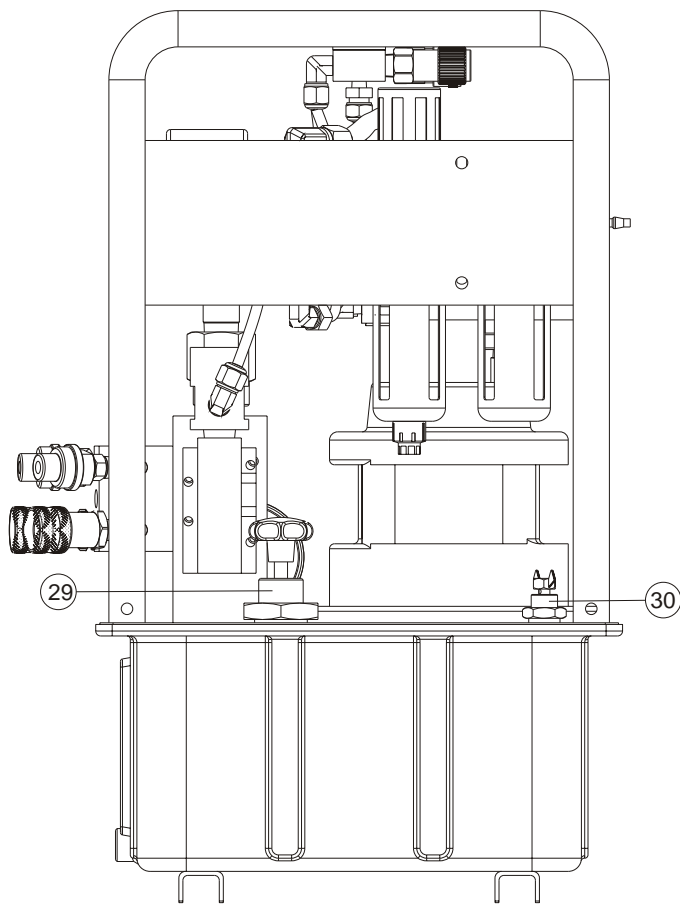
項次	零件名稱	數量	規格
16	外轉子	1	SPE2-E02
17	內轉子	1	SPE2-E01
18	滾針軸承	1	XMBA1212Z
19	上板	1	SPEA2-D04
* 20	CAP螺栓	6	XNCAPM06-55
21	濾網	1	XLD94
22	墊片	1	SPEA2-C15
* 23	CAP螺栓	6	XNCAPM04-10
* 24	CAP螺栓	10	XNCAPM08-75
25	軸封	1	XETC035-44-7
34	油路組	1	SPA554-AA2

\* 代表為修理包

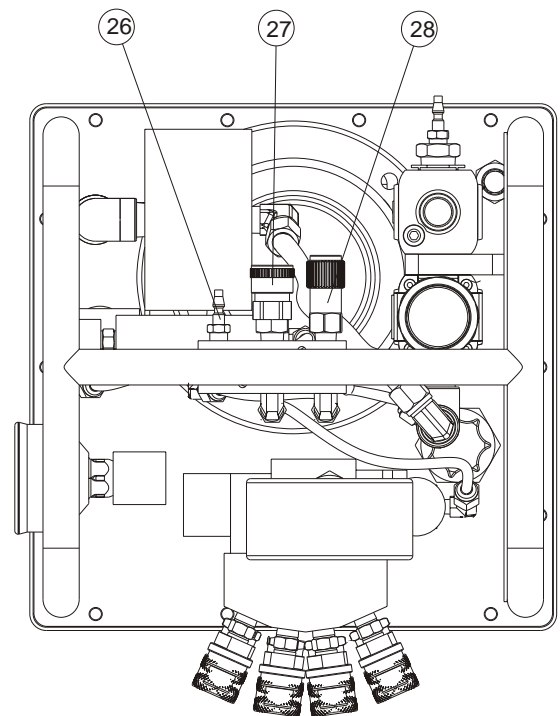


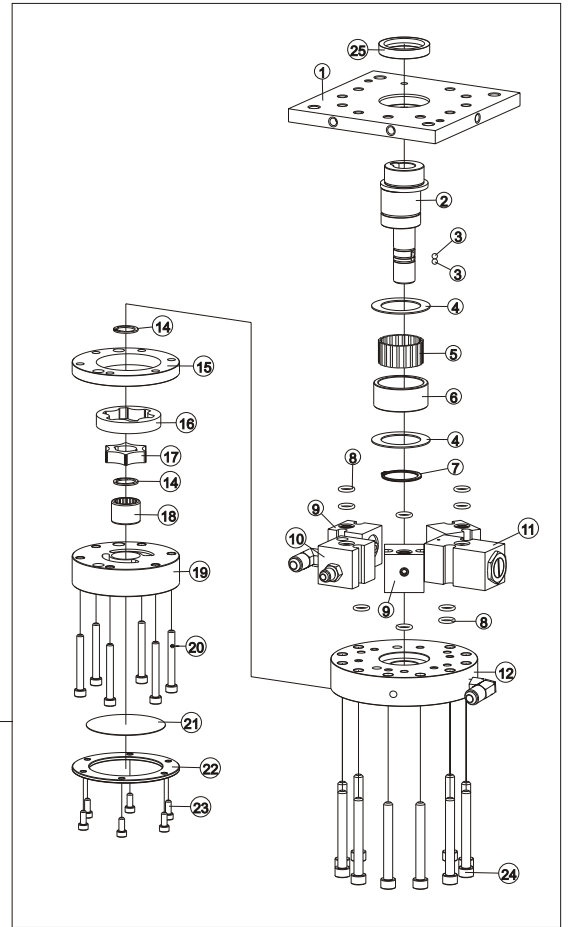
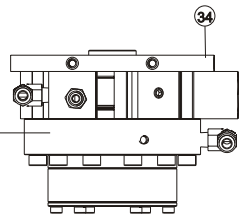
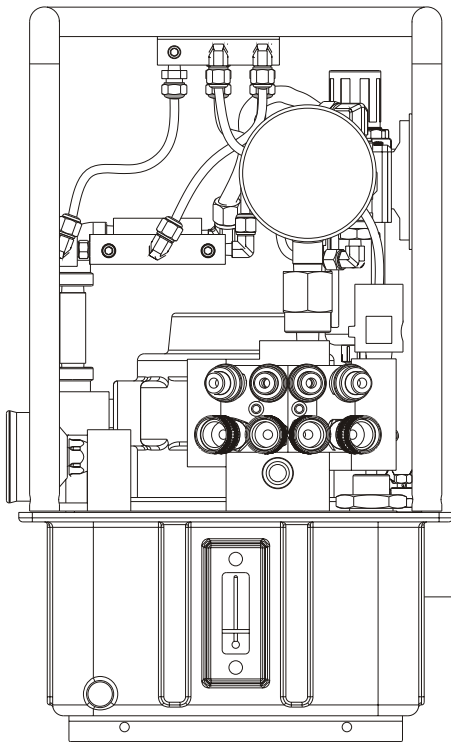
Item	Description	Q'ty	Part No.
1	Oil tank	1	SPA554TQ-B01
2	Oil path change valve	1	SPA554TQ-B02
3	Change valve	1	SPA554TQ-B03
4	Pressure gauge	1	XHO2.5LM2N1B
5	Manifolds	1	SPA554TQ-B04
6	Frame	1	SPA554TQ-B05
7	Silencer adapter	1	SPA554TQ-B06
8	1/8"-90° Elbow Fitting	3	SPA554TQ-B06
9	3/8" Female Manifolds	1	SPA554TQ-B07
10	1/4"-90° Elbow Fitting	2	SPA554TQ-B08
11	Air connector	3	SPA554TQ-B09
12	90° Elbow Fitting	1	SPA554TQ-B10
13	Pump assembly	1	SPA554TQ-B11
14	Manifolds	1	SPA554TQ-B12
15	Exhaust adaptor	1	SPA554TQ-B13

Item	Description	Q'ty	Part No.
16	Silencer assembly	1	SPA554TQ-B14
17	90° Elbow	2	SPA554TQ-B15
18	3/8" Nipple	1	SPA554TQ-B16
19	Copper tube	1	SPA554TQ-B17
20	Fixed plate	1	SPA554TQ-B18
21	1/2"PS Gauge Accessory	1	SPA554TQ-B19
22	Silencer	1	SPA554TQ-B20
23	1/4" Male couplers	1	SQB-1/4HM
24	1/4" Female couplers	1	SQB1/4HF
25	Oil leveler	1	XZSL-3



Item	Description	Q'ty	Part No.
26	Air inlet-Male	1	XIMA20PM-CN
27	Air inlet-Female	1	XICA20SM-CN
28	Air inlet-Female	1	XIMA20SM-CN
29	Pressure adjust	1	SPE554-AD-TQ
30	Vent	1	SPE2-A-E1
31	F.R.L unit	1	XZMACP401-15A-PT
32	6mm PE tube	1	SPE554TQ-B27
33	5/8" copper tube	1	XUC5/8





Item	Description	Q'ty	Part Number
1	mount plate	1	SPA554-D01
2	eccentric axle	1	SPEA2-D06
* 3	steel ball	2	XM3/16
* 4	spacer	2	SPE2-D13
5	needle bearing	1	XMKT354017
6	bearing sheath	1	SPE2-D07
* 7	C type ring	1	XAS35
* 8	O-ring	5	XBP010A
9	pump	3	SPA554-C-C2
10	oil outlet	1	SPA554-C-C3
11	pressure exchange	1	SPE2-B-A01
12	middle plate	1	SPE2-D02
14	rotor	2	XAISTW18
15	slip plate	1	SPE2-D03

Item	Description	Q'ty	Part No.
16	rotor-outside	1	SPE2-E02
17	rotor-inner	1	SPE2-E01
18	needle bearing	1	XMBA1212Z
* 19	mount plate	1	SPEA2-D04
* 20	CAP bolt	6	XNCAPM06-55
21	filter	1	XLD94
22	filter	1	SPEA2-C15
* 23	CAP bolt	6	XNCAPM04-10
* 24	CAP bolt	1	XNCAPM08-75
25	cover	1	XETC035-44-7
34	oil path assembly	1	SPA554-AA2

Maked with \* are contained in Repair Kit.