



巨輪興有限公司

高雄市岡山區岡山北路199號

CHU LUN SING CO.,LTD

No.199, Gangshan N. Rd., Gangshan Dist.,
Kaohsiung City 82059, Taiwan

<http://www.sunrun.com.tw>

E-mail:sun.run@msa.hinet.net

TEL:886-7-6210505

FAX:886-7-6217575

液壓法蘭撐開器 操作說明

SWF-5



中文 : C1~C2

中文
English
Ver.16

1. 安全預防措施



不遵守以下的注意事項和警告將引起設備損失及人員傷害。



重要事項：未滿18歲人員不得擅自操作。操作SUN RUN油壓設備前請先仔細閱讀並了解相關操作手冊、安全事項和警告事項。操作人員負有油壓設備週邊之人員及環境之安全責任。



警告事項：為確保避免人員傷害和設備作業損失，請確認所有油壓設備及週邊配件，使用最大壓力為 700 bar(10,000psi)。



警告事項：操作人員於使用期間為避免傷害，需全程配戴安全防護措施。



危險事項：為避免人員傷害，請於操作過程中手、腳遠離液(油)油壓缸和液壓設備。



警告事項：系統操作壓力絕不可超過最低壓力元件之值最低值。系統中應加裝壓力錶藉以監測系統中的壓力並了解使用狀態。



警告事項：禁止超載使用。超載使用易造成設備損害及人員損傷。液(油)壓缸設計最大使用壓力為 700 bar (10,000psi)。



危險事項：液(油)壓設備應遠離火或熱源。高溫會軟化包裝和密封材料，導致液壓油洩漏；高溫同時也會造成油管材質與包裝變質。為確保最好狀態，不要將液(油)壓設備暴露於 65°C(150°F)高溫。在電焊場所時亦應注意防止電焊火花噴到油管。



警告事項：請勿操作未潤滑的滑塊及4支滑動插銷。並使用較好的潤滑油。



警告事項：避免損壞油壓管。捲收油管時，避免油管強烈彎曲或打結。使用彎曲或打結油管易引起背壓。強烈彎曲或打結的油管亦易引起內部損壞或提早油管老化。



重要事項：液壓設備必需由合格的液壓技工進行維修。需要修理時，請連繫就近的SUN RUN服務據點並使用SUN RUN液壓油保固方為有效。



危險事項：不要用手對油管施加壓力(包括拉或舉高) 高壓下洩漏的液壓油會穿透皮膚造成嚴重傷害。當液壓油侵入皮膚請立即就診。



警告事項：液(油)壓缸只能在已連接好的液壓油路中使用；快速接頭尚未確實連接時禁止使用或加壓，否則高壓情況下接頭的油封及鋼珠會高速噴出造成人員傷亡。



重要事項：千萬不要利用油管來提攜其他油壓設備(例如:小型油壓缸、泵浦..等)



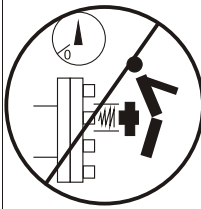
警告事項：除了墊塊，千萬不可以手指置於動作中的撐開器。



警告事項：撐開器的把手是用來當撐開器回縮時使使用者不直接握住撐開器。可使手指免於卡在二片夾片中。



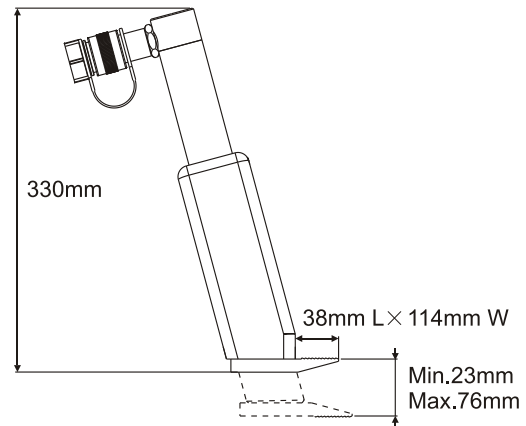
危險事項：千萬不要使用榔頭或其他楔型斧撐開夾縫。



切勿在拉伸或拆卸過程中站立於螺栓同軸位置。如果螺栓出現問題、鬆脫或損壞的零件可能會射出，如此可能會導致嚴重的人員傷亡。非必要或壓力穩定情況下，才允許操作者到加壓拉伸器附近持續觀察壓力計。

2. 規範

Model No . 型號	Capacity 能力	Spread (Min./Max.) 撐開距離	Oil Capacity 總油量	Weight 重量
SWF-5	5 ton	23/76mm	81.9cm ³	6.2kg



3. 操作

- 3.1 SWF-5 適用於撐開及舉升。具有輕巧、及強力準確性等特性的工具。搭配液壓動力單元趾部具有5噸撐開力。適用功能泛圍廣大。
- 3.2 SWF-5 簡易操作。將油壓缸接上泵浦施壓即可撐開趾座。將泵浦洩壓趾座即閉合。

4. 存放

- 4.1 使用擦拭布或紙將工具擦拭乾淨。
- 4.2 存放時請將趾部閉合成未使用狀態。
SWF-5 在未使用時應保持在備用狀態即趾部閉合狀態。

5. 維修保養

- 5.1 只使用SUN RUN提供之液壓油，以確保液壓品質。
- 5.2 當油壓缸與油管分開存放時，請分別以防塵蓋加以防護。保持油壓缸完全清潔可延長使用壽命。
- 5.3 內部零件皆已經工廠潤滑處理，使用者無需再做清理或再潤滑動作。

出廠證明暨保固書

產品名稱：

型 號：

序 號：

出廠日期： / /

保固期間： / / ~ / /

該產品經公司嚴格品質管制,並測試合格出廠,本產品自驗收合格日起保固一年,如非人為使用不當或天然不可抗拒之災害,本公司免費維修,如非以上之原因本公司將酌收材料成本負責維修。

公司：巨輪興有限公司

負責人：蘇明益

高雄市岡山區岡山北路199號

TEL:886-7-6210505

FAX:886-7-6217575



巨輪興有限公司

高雄市岡山區岡山北路199號

CHU LUN SING CO.,LTD

No.199, Gangshan N. Rd., Gangshan Dist.,
Kaohsiung City 82059, Taiwan

<http://www.sunrun.com.tw>

E-mail:sun.run@msa.hinet.net

TEL:886-7-6210505

FAX:886-7-6217575

OPERATING INSTRUCTIONS HYDRAULIC SPREADER

SWF-5



English : E1~E2

中文
English
Ver.16

1. SAFETY PRECAUTIONS



Failure to comply with the following cautions and warnings could cause equipment damage and personal injury.



IMPORTANT : Minimum age of the operator must be 18 years. The operator must have read and understood all instructions, safety issues, cautions and warnings before starting to operate the SUN RUN equipment. The operator is responsible for this activity towards other persons.



WARNING : To avoid personal injury and possible equipment damage, make sure all hydraulic components withstand the maximum pressure of 700 bar(10,000psi).



WARNING: Always wear safety glasses. The operator must take precaution against injury due to failure of the tool or workpiece.



DANGER: To avoid personal injury keep hands and feet away from cylinder and workpiece during operation.



IMPORTANT : Minimize the risk of overloading. Use hydraulic gauges in each hydraulic system to indicate safe operating loads. It is your window to what is happening in the system.



WARNING : Do not overload equipment. Overloading causes equipment failure and possible personal injury.



CAUTION : Make sure that all system components are protected from external sources of damage, such as excessive heat, flame, moving machine parts, sharp edges and corrosive chemicals.



CAUTION: Don't operate the equipment without lubricating the wedge and the 4 slide pins. Use high quality grease.



CAUTION: Avoid sharp bends and kinks that will cause severe back-up pressure in hoses. Bends and kinks lead to premature hose failure.



WARNING: Immediately replace worn or damaged parts with genuine SUN RUN parts. SUN RUN parts are designed to fit properly and withstand rated loads.



DANGER: Do not handle pressurized hoses. Escaping oil under pressure can penetrate the skin causing serious injury. If oil is injected under the skin, see a doctor immediately.



WARNING: Never pressurize uncoupled couplers. Only use hydraulic equipment in a coupled system.



IMPORTANT: Do not lift hydraulic equipment by the hoses or couplers. Use the carrying handle or other means of safe transport.



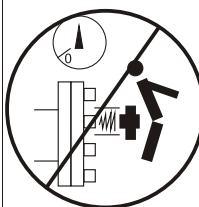
WARNING: Never place fingers in a joint held by activated wedge unless a safety block is located into the joint.



CAUTION: The handle of the wedge is there to stop operators holding spread plates as the wedge is retracted. This will stop fingers becoming jammed between plates.



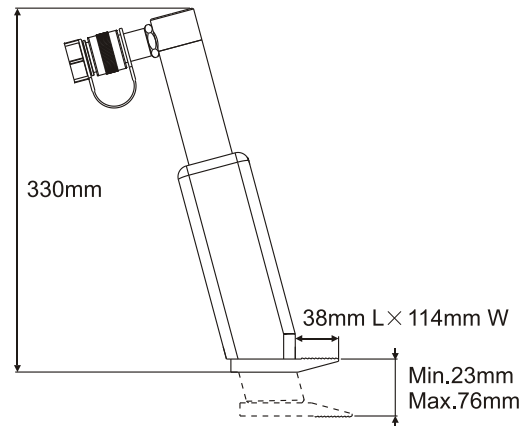
CAUTION: Never hammer or force wedge to access gap.



Never stand in-line with the bolt axis while tensioning or de-tensioning is in progress. If the bolt should fail, serious personal injury or death could result if loose or broken parts become projectiles. All personnel must be aware of this potential hazard at all times.

2. SPECIFICATION

Model No . 型號	Capacity 能力	Spread (Min./Max.) 撐開距離	Oil Capacity 總油量	Weight 重量
SWF-5	5 ton	23/76mm	81.9cm ³	6.2kg



3. OPERATION

3.1 SWF-5 is designed for spreading and lifting. It is a small, light and powerful precision tool.

It generates 5 tons of spreading force at the feet by using hydraulic power. It is extremely versatile and can be used wherever lifting power is needed.

3.2 SWF-5 is simple to use. To spread the feet, connect the hydraulic cylinder to a pump and pressurize it. To close the feet, release the pressure of the pump.

4. STORAGE

4.1 Wipe the tool clean with a cloth or paper towel.

4.2 Close the feet.

SWF-5 should be kept in the ready position when not in use; feet closed.

5. MAINTENANCE

5.1 Use only SUN RUN oil with these cylinder. The use of any other oil may invalidate your warranty.

5.2 Use dust caps when cylinders are disconnected from the hose. Keep entire cylinder clean to prolong cylinder life.

5.3 All internal parts are lubricated at the factory and do not need cleaning or re-lubrication.