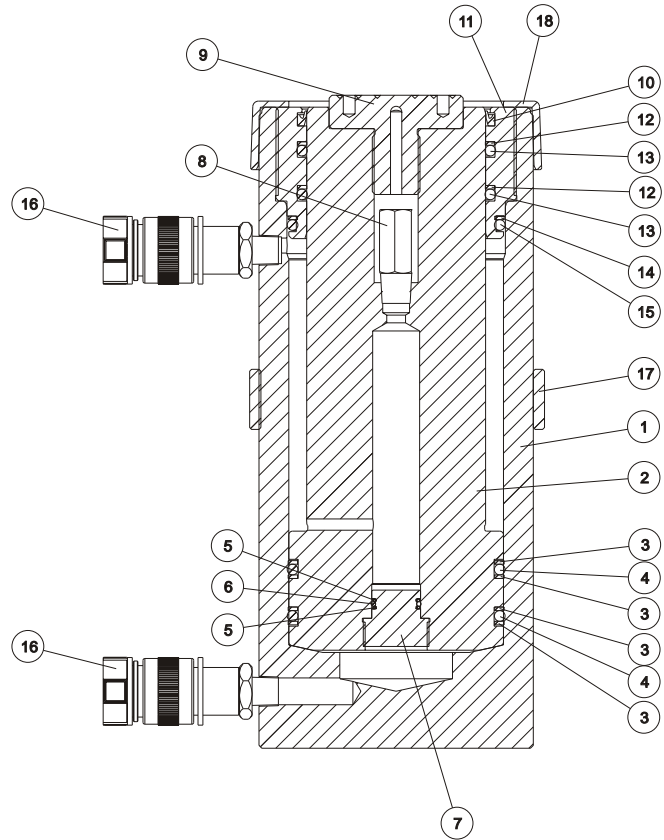
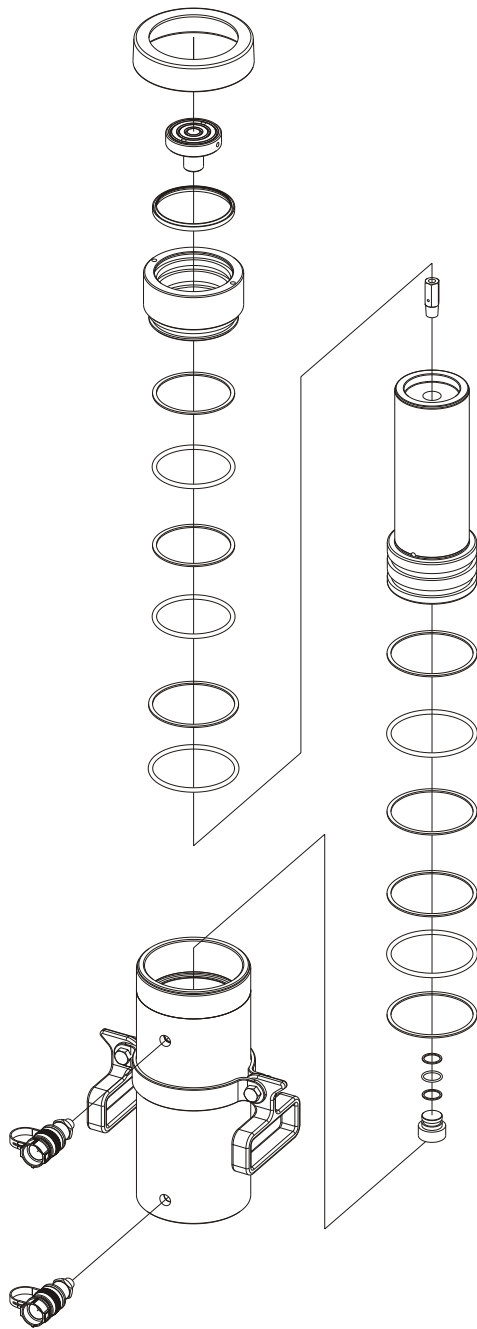


編號	名稱	數量	50tons 品號	100tons 品號	150tons 品號
1	推車拉桿	1	SPLA-C-5013	SPLA-C-10013	SPLA-C-15013
2	單動油壓缸	1	RSR-5013-SPLA	RSR-10013-SPLA	RSR-15013-SPLA
3	油壓氣動泵浦	1	SPA-554TQJ8L-SPLA	SPA-554TQJ8L-SPLA	SPA-554TQJ8L-SPLA
3-1	油壓電動泵浦	1	SPE-554TQJ-SPLE	SPE-554TQJ-SPLE	SPE-554TQJ-SPLE

油缸樣式：K1
 雙動/上螺帽/主軸內牙/
 安全閥-主軸/溝槽墊塊型
 RSR50 / RSR75 Series



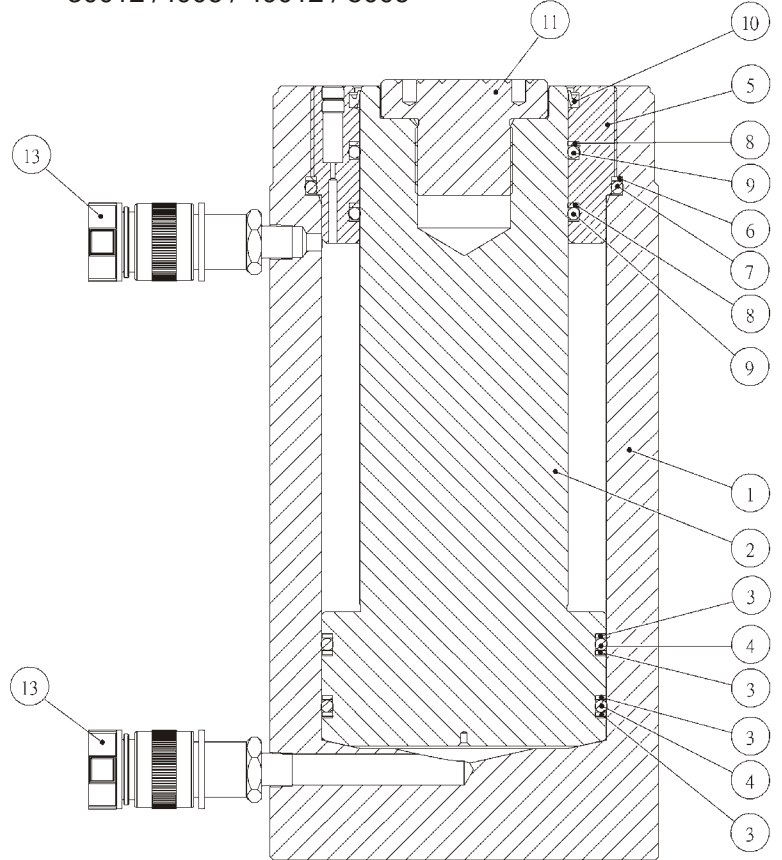
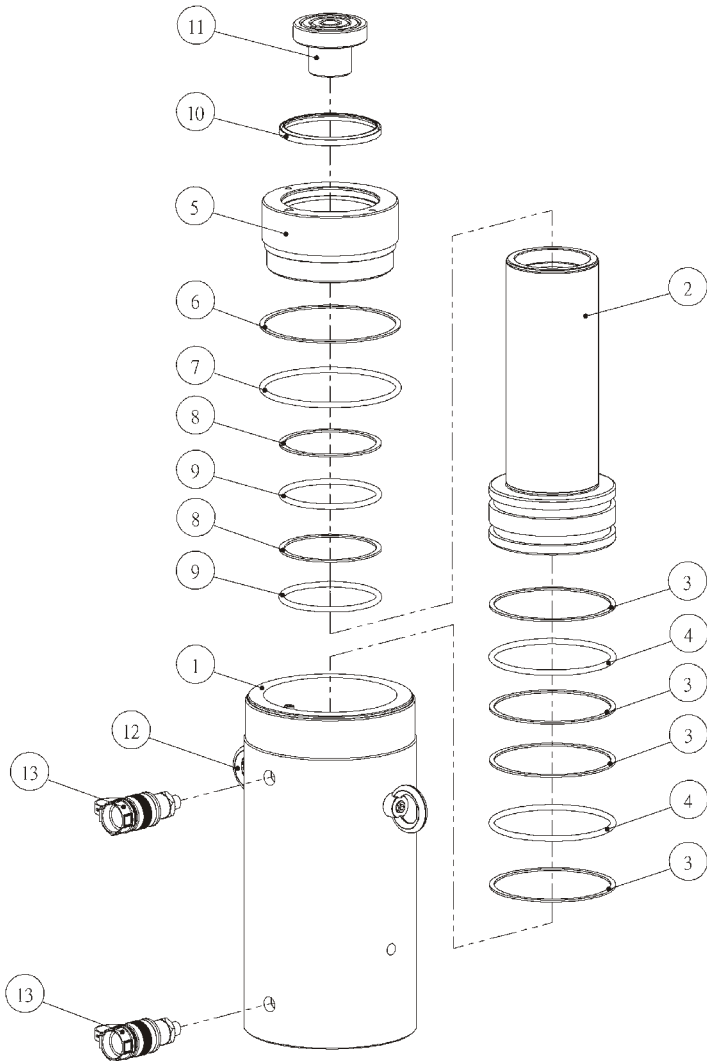
K1-雙動/上螺帽/主軸內牙/溝槽墊塊型(RSR-5013)

項次	品名	數量	規格
1	油壓缸	1	SRR5013-B01
2	主軸	1	SRR5013-B02
* 3	背托環	4	XGP085
* 4	O型環	2	XBP085-90-NOK
* 5	背托環	2	XGP021
* 6	O型環	1	XBP022-90-NOK
7	主軸塞底	1	SRR756-B05
8	安全閥	1	XISAFE-700
9	墊塊	1	XKSRR-50
* 10	防塵環	1	XDDS79.5
11	上螺帽	1	SRR506-B03
* 12	背托環	2	XGP080
* 13	O型環	2	XBP080-90-NOK
* 14	背托環	1	XGG090
* 15	O型環	1	XBG090
16	快速接頭	2	SQB-3/8UF
17	活動提把	1	SUR-SRC50
18	螺牙保護套	1	XCSRC-50

* 代表為修理包

油缸樣式：K
 雙動/上螺帽/ 主軸內牙/
 溝槽墊塊型油缸

- 1.RSR100 Series
- 2.RSR1506 /15013 //20013 /3006 /
30012 /4006 / 40012 / 5006



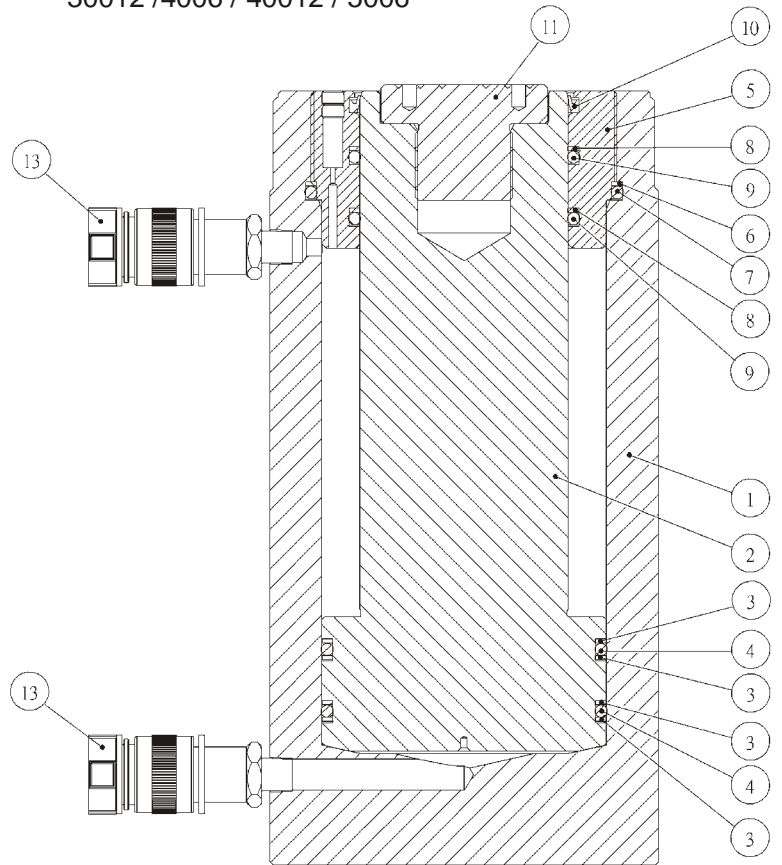
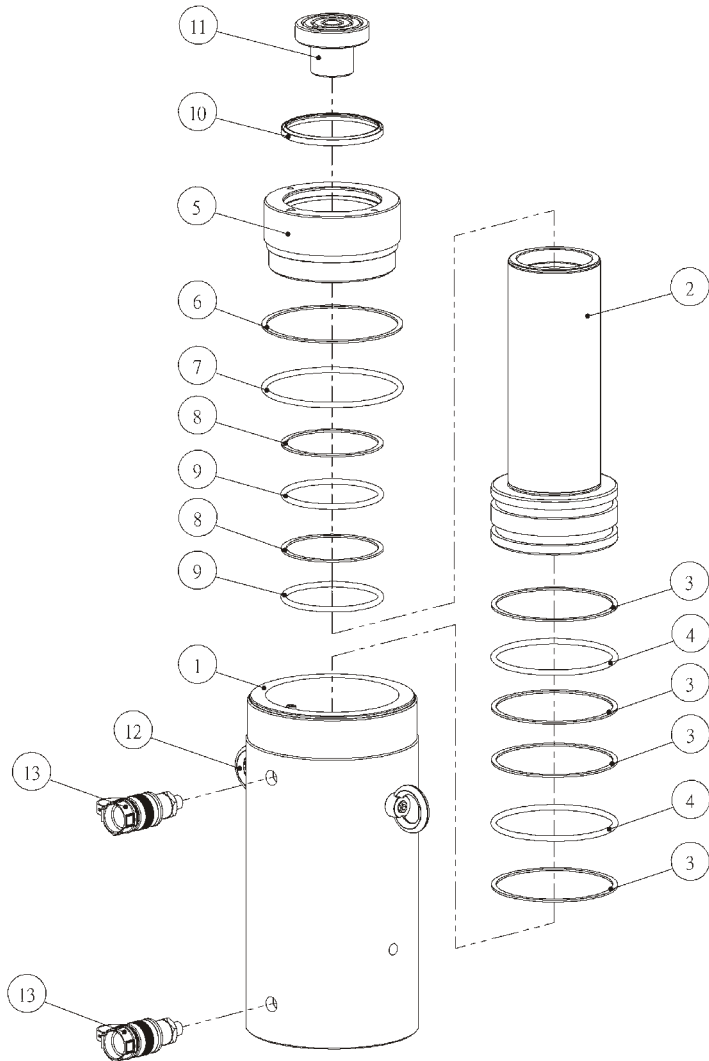
K-雙動/上螺帽/主軸內牙/溝槽墊塊型(RSR-10013)

項次	品名	數量	品號
1	油壓缸	1	SRR10013-B01
2	主軸	1	SRR10013-B02
*	3	背托環	4 XGP120
*	4	O型環	2 XBP120-90-NOK
	5	上螺帽	1 SRR1006-B03
*	6	背托環	1 XGP135
*	7	O型環	1 XBP135-NOK
*	8	背托環	2 XGP095
*	9	O型環	2 XBP095-90-NOK
*	10	防塵環	1 XDDSI95
	11	墊塊	1 XKSRR100
	12	吊環提把組	2 XORM12A
	13	快速接頭	2 SQB-3/8UF
	14	螺牙保護套	- --

* 代表為修理包

油缸樣式：K
 雙動/上螺帽/ 主軸內牙/
 溝槽墊塊型油缸

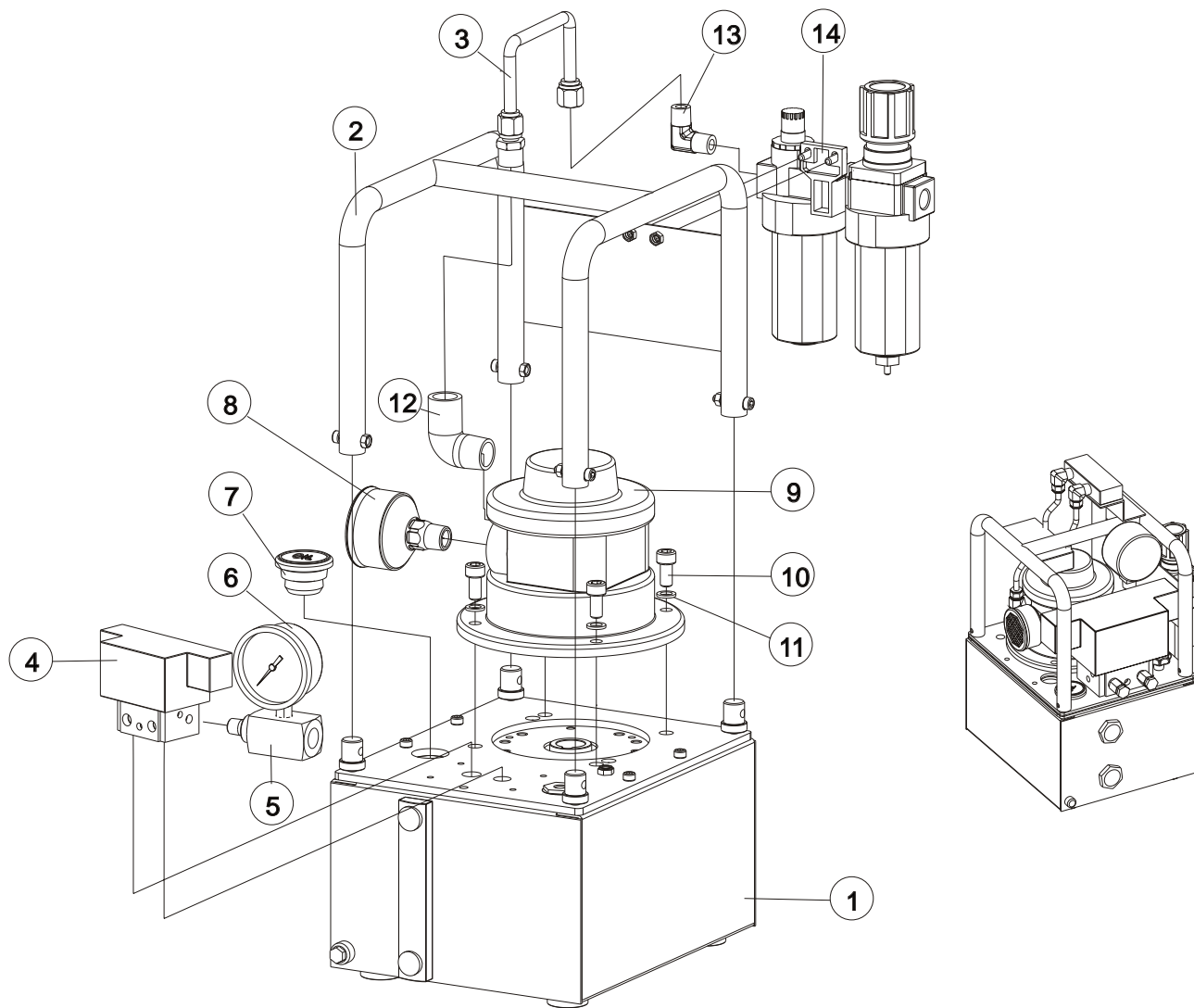
- 1.RSR100 Series
- 2.RSR1506 /15013 //20013 /3006 /
30012 /4006 / 40012 / 5006



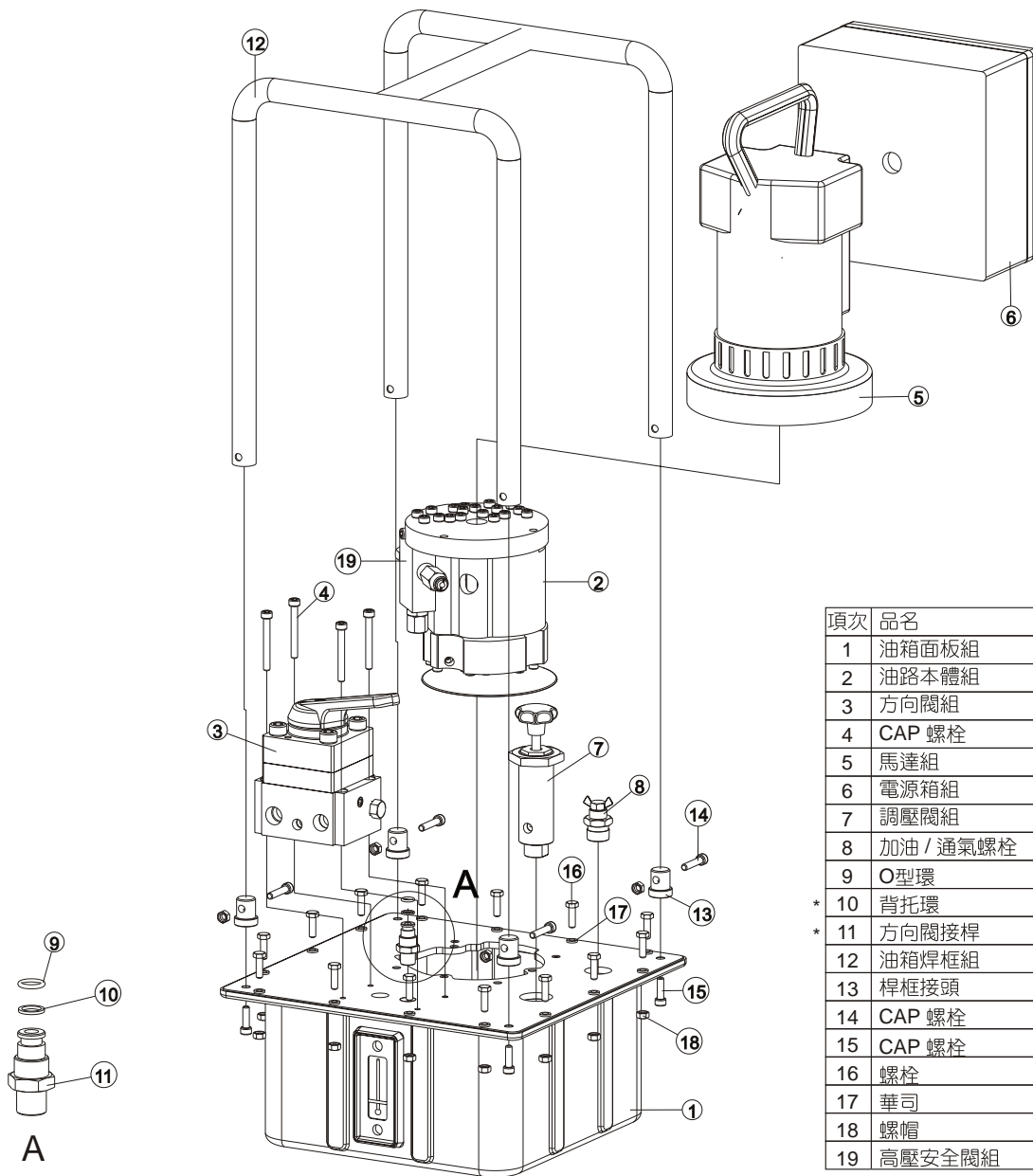
K-雙動/上螺帽/主軸內牙/溝槽墊塊型(RSR-15013)

項次	品名	數量	品號	
1	油壓缸	1	SRR15013-B01-1	
2	主軸	1	SRR15013-B02	
*	3	背托環	2	XGP145
*	4	O型環	1	XBP145-90-NOK
	5	上螺帽	1	SRR1506-B03
*	6	背托環	1	XGP150
*	7	O型環	1	XBP150
*	8	背托環	2	XGP115
*	9	O型環	2	XBP115-90-NOK
*	10	防塵環	1	XDLBH115
	11	墊塊	1	SRR1506-B04
	12	吊環提把組	2	XORM16A
	13	快速接頭	2	SQB-3/8UF
	14	螺牙保護套	1	SRR1506-B05

* 代表為修理包

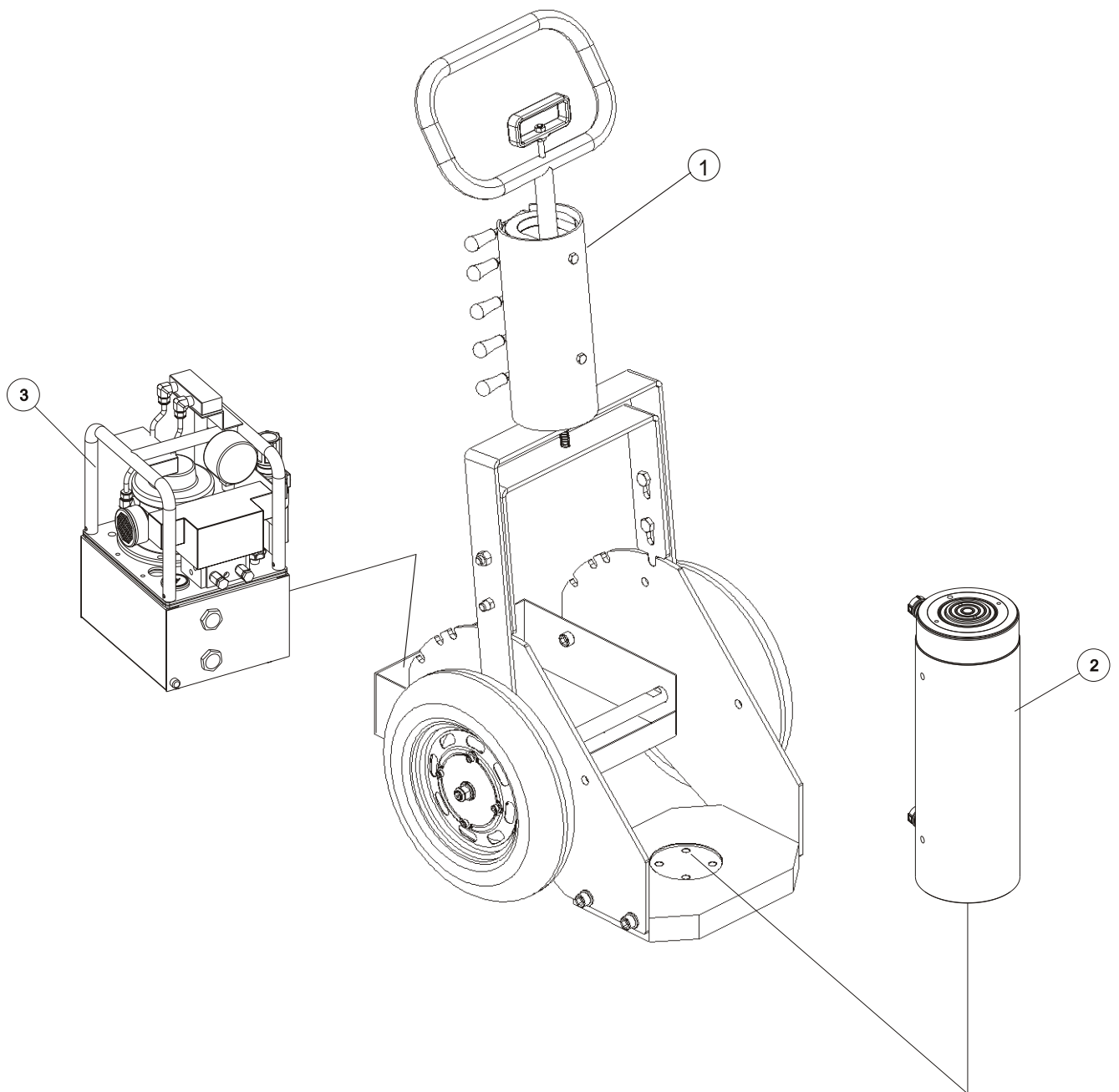


頂次	零件名稱	數量	規格
1	油箱組	1	DW2005-AA1
2	框架組	1	DW2005-AA3
3	風管組	1	DW2005-AA2
4	方向閥組	1	SPE554-AC-J1
5	錶接頭	1	GSA-4552
6	壓力錶	1	XHO2.5LM2N1K
7	加油塞子	1	XBP010A-90-NOK
8	消音器	1	XLAC990
9	氣動馬達	1	SPEA2-M01
10	螺栓	4	XNCAPM10-35
11	彈簧華司	4	XWSP-M10
12	內外牙彎頭	1	XISLB04-SUS
13	公牙彎接頭	1	XIS84
14	三點組合	1	SPEA2-E03



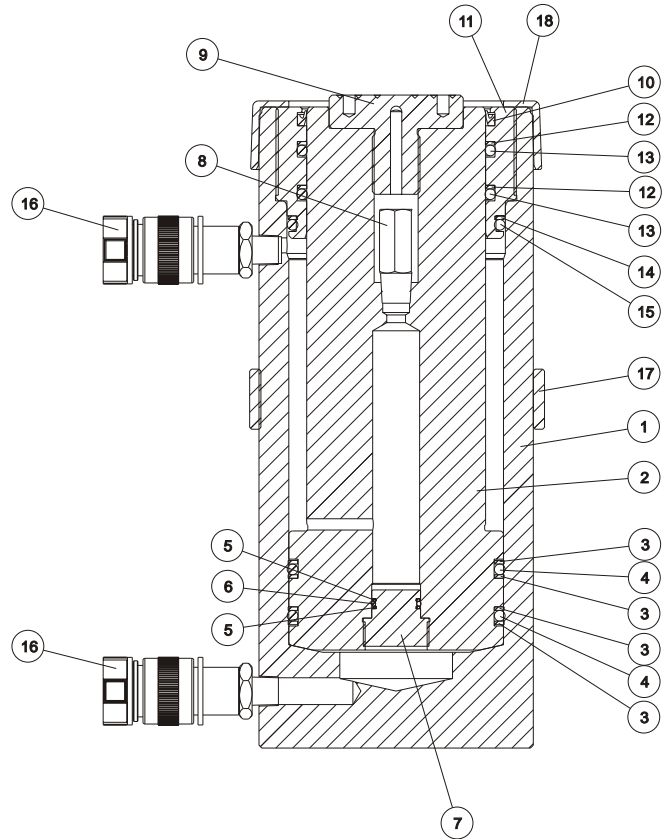
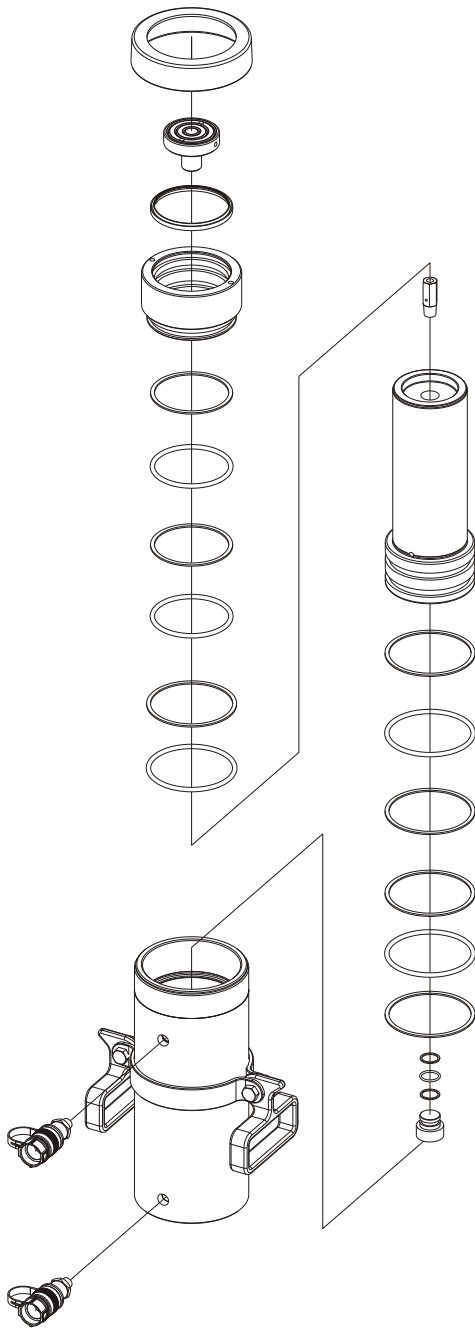
項次	品名	數量	品號
1	油箱面板組	1	SPE554-AE-J
2	油路本體組	1	SPE-554-A
3	方向閥組	1	SPE554-AC-J
4	CAP 螺栓	4	XNCAPM06-50
5	馬達組	1	SPE554-M01-A
6	電源箱組	1	SPE554-E18
7	調壓閥組	1	SPE554-AD
8	加油 / 通氣螺栓	1	SPE2-A-E1
9	O型環	1	XBP009-90-NOK
* 10	背托環	1	XGP009-4F
* 11	方向閥接桿	1	SPE554TQJ-B04
12	油箱焊框組	1	SPE554-B-B1
13	桿框接頭	4	SPE2-A07-20
14	CAP 螺栓	4	XNCAPM06-20
15	CAP 螺栓	4	XNCAPM06-30
16	螺栓	14	XNHCM06-20
17	華司	14	XWM06
18	螺帽	18	XOM06
19	高壓安全閥組	1	SPE554-AB

*修理包



			50tons	100tons	150tons
Item	Description	Q'ty	Part number	Part number	Part number
1	power lift cart	1	SPLA-C-5013	SPLA-C-10013	SPLA-C-15013
2	Hydraulic D/A Cyl.	1	RSR-5013-SPLA	RSR-10013-SPLA	RSR-15013-SPLA
3	Air pump	1	SPA-554TQJ8L-SPLA	SPA-554TQJ8L-SPLA	SPA-554TQJ8L-SPLA
3-1	Electric pump	1	SPE-554TQJ-SPLE	SPE-554TQJ-SPLE	SPE-554TQJ-SPLE

Drawing : K1
Double-Acting, Stop ring, Plunger threads,
Safety Assembly-plunger , Grooved saddle Cylinders
RSR50 / RSR75 Series



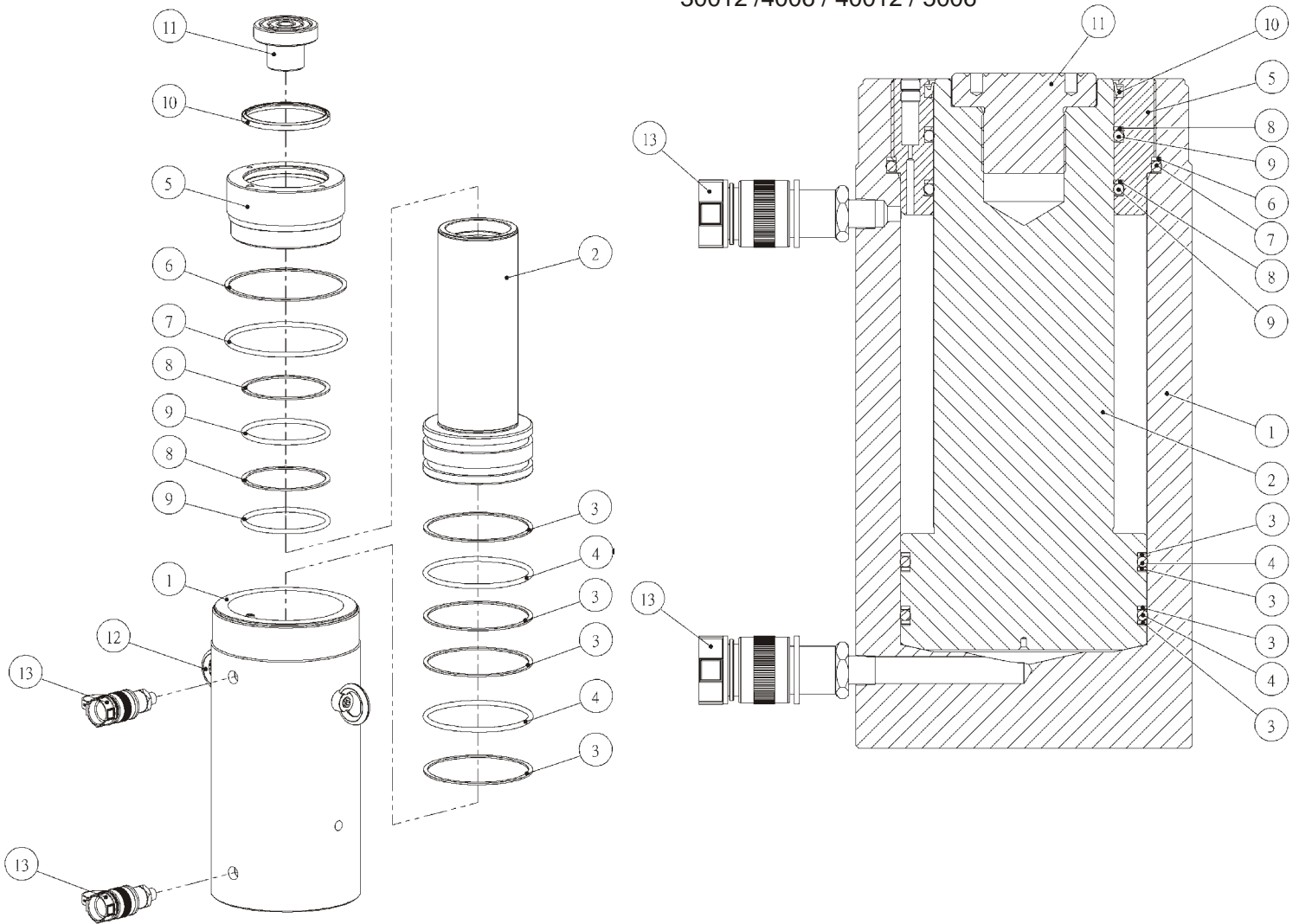
K1-Double-Acting, Stop ring, Plunger threads,
Safety Assembly-plunger ,
Grooved saddle Cylinders(RSR-5013)

Item	Description	Q'ty	Part no.
1	cylinder	1	SRR5013-B01
2	plunger	1	SRR5013-B02
* 3	back-up ring	4	XGP085
* 4	o-ring	2	XBP085-90-NOK
* 5	back-up ring	2	XGP021
* 6	o-ring	1	XBP022-90-NOK
7	bottom plug	1	SRR756-B05
8	safety valve	1	XISAFE-700
9	saddle	1	XKSRR-50
* 10	wipers	1	XDDS79.5
* 11	stop ring	1	SRR506-B03
* 12	back-up ring	2	XGP080
* 13	o-ring	2	XBP080-90-NOK
* 14	back-up ring	1	XGG090
* 15	o-ring	1	XBG090
16	fast coupler	2	SQB-3/8UF
17	Removable strap handles	1	SUR-SRC50
18	thread cover	1	XCSRC-50

* Repair Kit.

Drawing type : K
Double-Acting, Stop ring, Plunger threads,
Grooved saddle Cylinders

1.RSR100 Series
2.RSR1506 /15013 //20013 /3006 /
30012 /4006 / 40012 / 5006



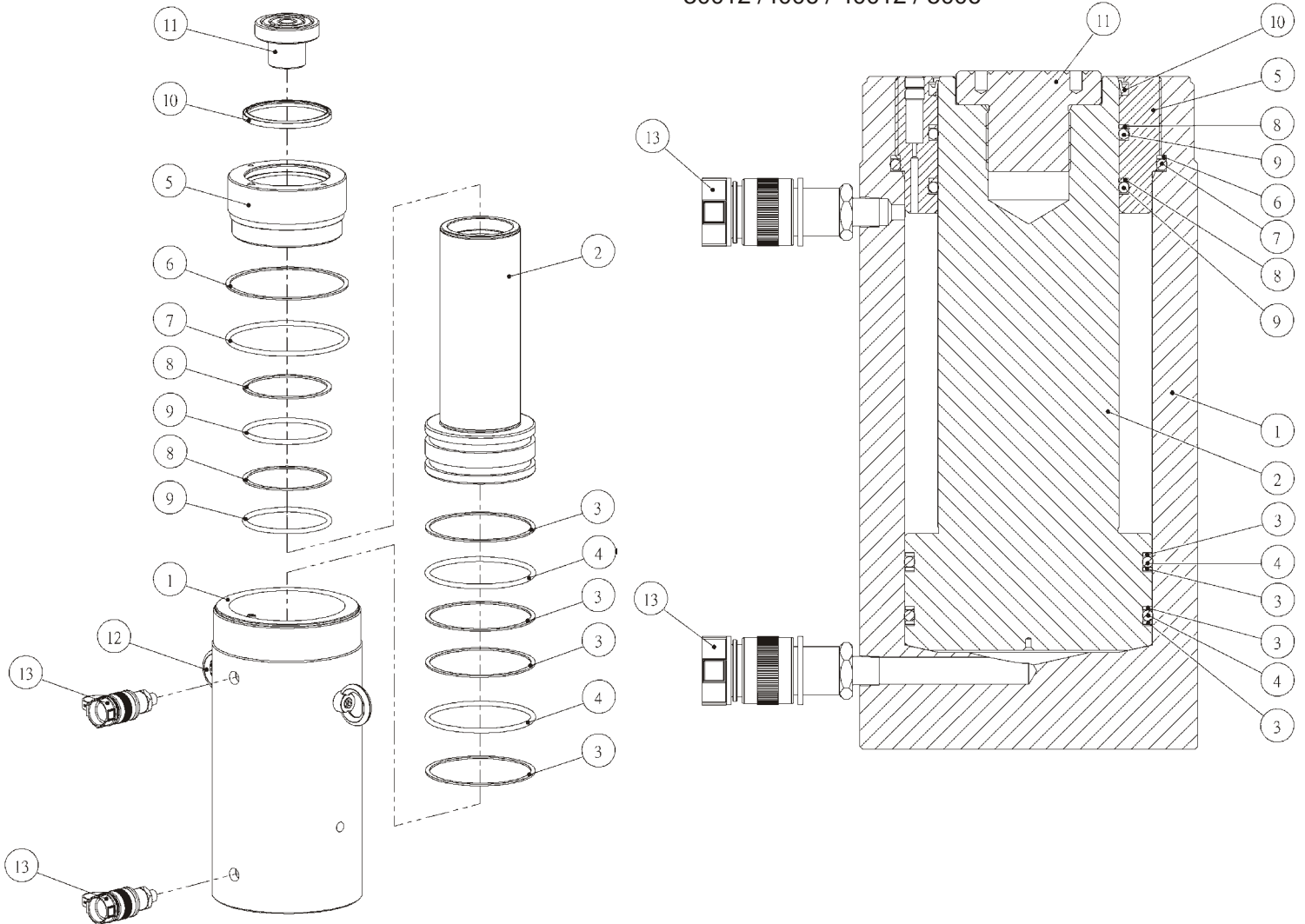
K-Double-Acting, Stop ring, Plunger threads,
Safety Assembly- stop ring , Grooved saddle Cylinders(RSR-10013)

Item	Description	Q'ty	Part no.
1	cylinder	1	SRR10013-B01
2	plunger	1	SRR10013-B02
* 3	back-up ring	4	XGP120
* 4	o-ring	2	XBP120-90-NOK
5	stop ring	1	SRR1006-B03
* 6	back-up ring	1	XGP135
* 7	o-ring	1	XBP135-NOK
* 8	back-up ring	2	XGP095
* 9	o-ring	2	XBP095-90-NOK
10	wipers	1	XDDSI95
11	saddle	1	XKSRR100
12	Lifting eye bolt	2	XORM12A
13	fast coupler	2	SQB-3/8UF

Maked with * are contained in Repair Kit.

Drawing type : K
Double-Acting, Stop ring, Plunger threads,
Grooved saddle Cylinders

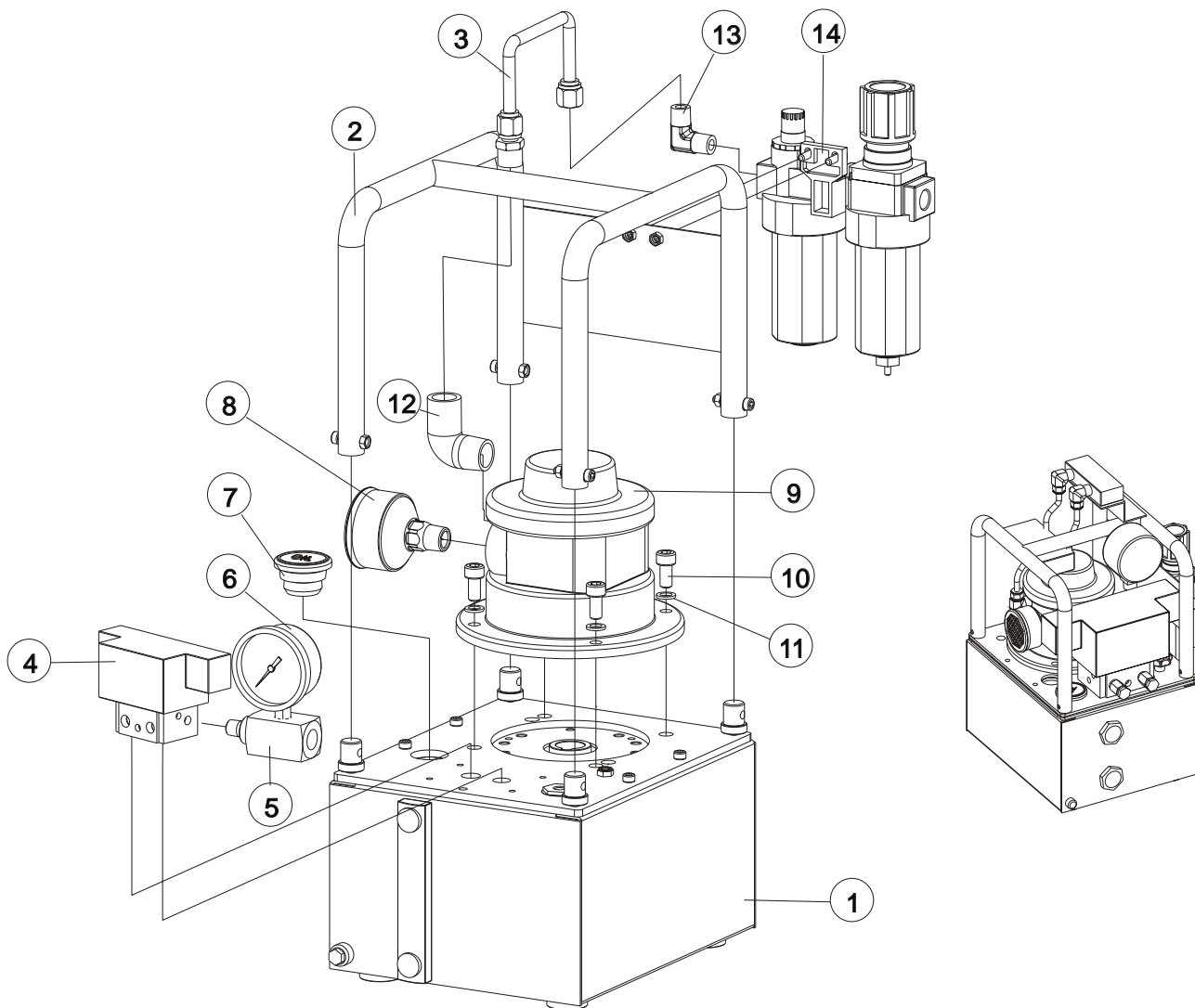
1.RSR100 Series
2.RSR1506 /15013 //20013 /3006 /
30012 /4006 / 40012 / 5006



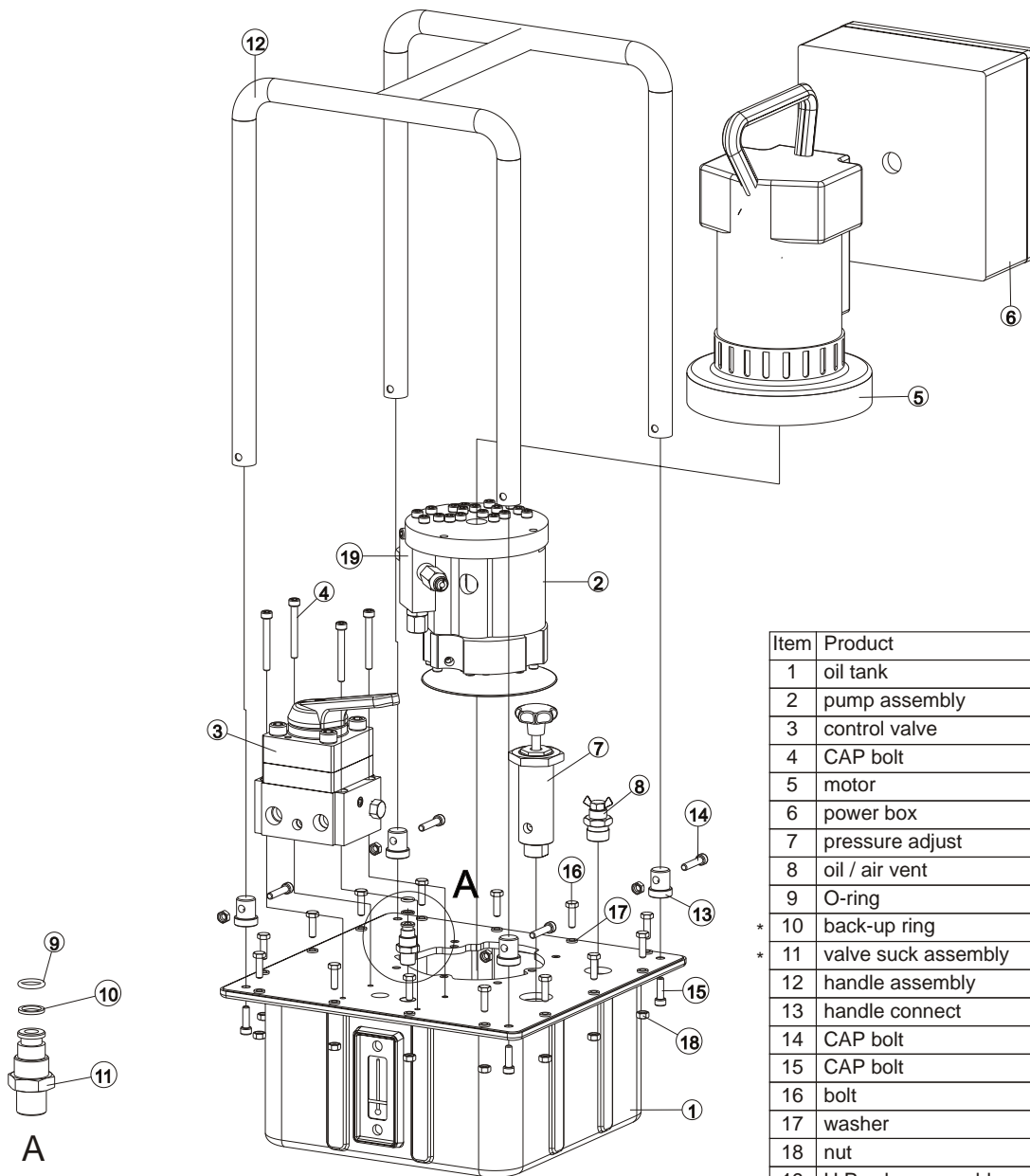
K-Double-Acting, Stop ring, Plunger threads,
Safety Assembly- stop ring , Grooved saddle Cylinders(RSR-15013)

Item	Description	Q'ty	Part no.	
1	cylinder	1	SRR15013-B01-1	
2	plunger	1	SRR15013-B02	
*	3	back-up ring	2	XGP145
*	4	o-ring	1	XBP145-90-NOK
5	stop ring	1	SRR1506-B03	
*	6	back-up ring	1	XGP150
*	7	o-ring	1	XBP150
*	8	back-up ring	2	XGP115
*	9	o-ring	2	XBP115-90-NOK
10	wipers	1	XDLBH115	
11	saddle	1	SRR1506-B04	
12	Lifting eye bolt	2	XORM16A	
13	fast coupler	2	SQB-3/8UF	
14	thread protect cover	1	SRR1506-B05	

Maked with * are contained in Repair Kit.



Item	Description	Q'ty	Part No.
1	Oil tank	1	DW2005-AA1
2	Frame	1	DW2005-AA3
3	Air tube assembly	1	DW2005-AA2
4	Manual valve	1	SPE554-AC-J1
5	Gauge accessories	1	GSA-4552
6	Pressure gauge	1	XHO2.5LM2N1K
7	oil plug	1	XBP010A-90-NOK
8	Silencer	1	XLAC990
9	Air motor	1	SPEA2-M01
10	bolt	4	XNCAPM10-35
11	spring washer	4	XWSP-M10
12	street elbow	1	XISLB04-SUS
13	street elbow	1	XIS84
14	F.R.L unit	1	SPEA2-E03



Item	Product	Q'ty	Part
1	oil tank	1	SPE554-AE-J
2	pump assembly	1	SPE-554-A
3	control valve	1	SPE554-AC-J
4	CAP bolt	4	XNCAPM06-50
5	motor	1	SPE554-M01-A
6	power box	1	SPE554-E18
7	pressure adjust	1	SPE554-AD
8	oil / air vent	1	SPE2-A-E1
9	O-ring	1	XBP009-90-NOK
* 10	back-up ring	1	XGP009-4F
* 11	valve suck assembly	1	SPE554TQJ-B04
12	handle assembly	1	SPE554-B-B1
13	handle connect	4	SPE2-A07-20
14	CAP bolt	4	XNCAPM06-20
15	CAP bolt	4	XNCAPM06-30
16	bolt	14	XNHCM06-20
17	washer	14	XWM06
18	nut	18	XOM06
19	H.P valve assembly	1	SPE554-AB

* repair kit