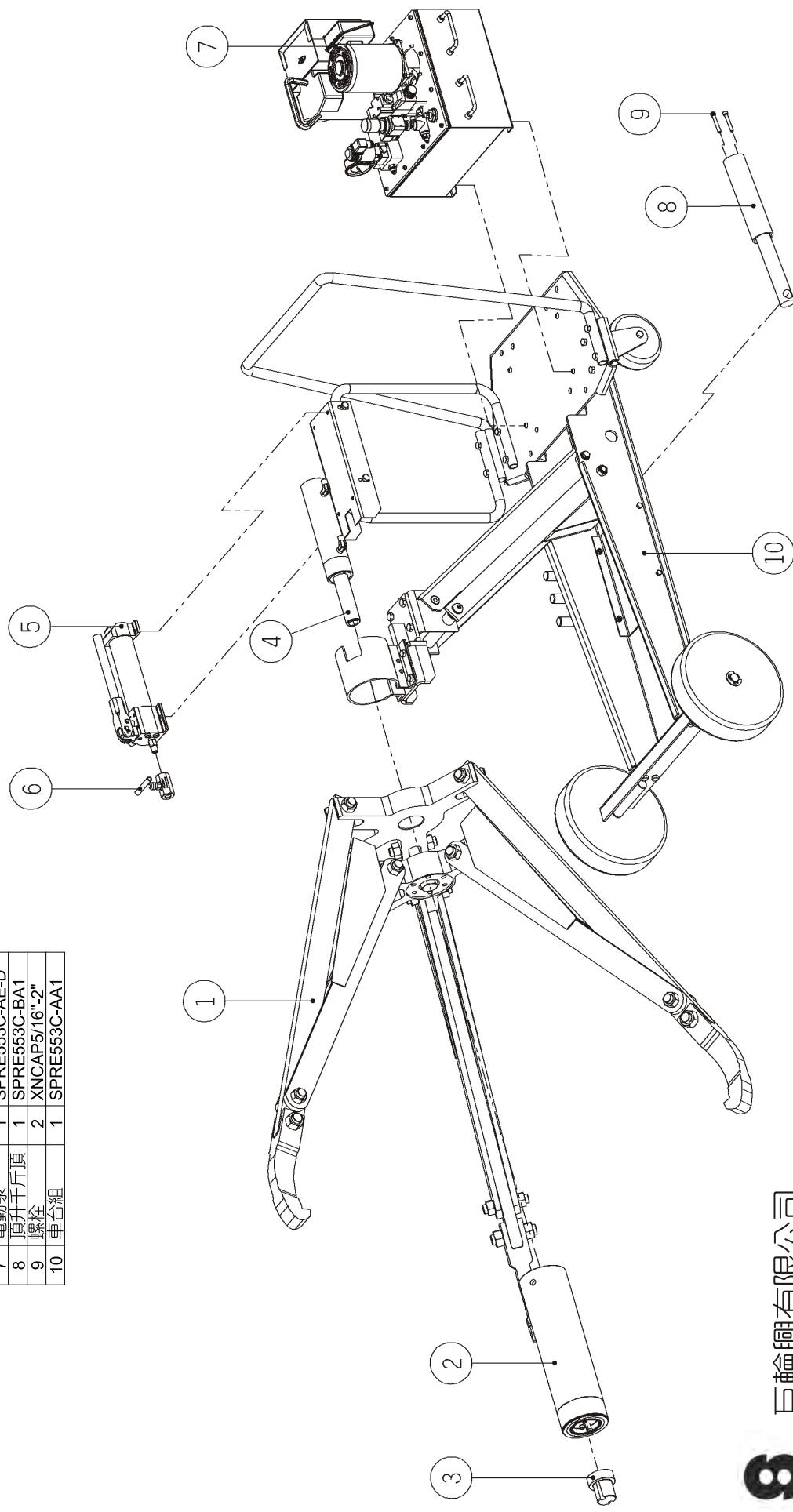
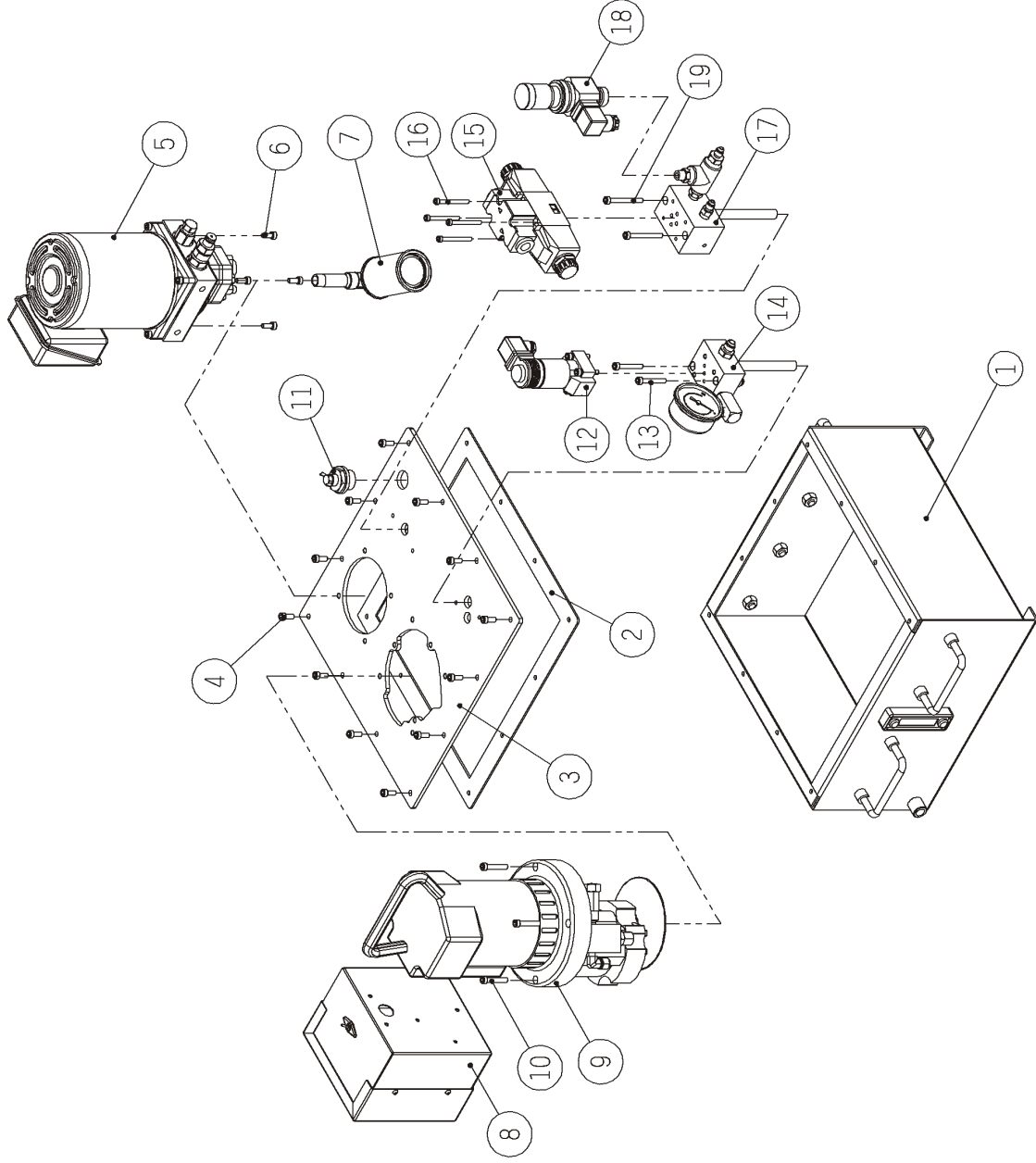


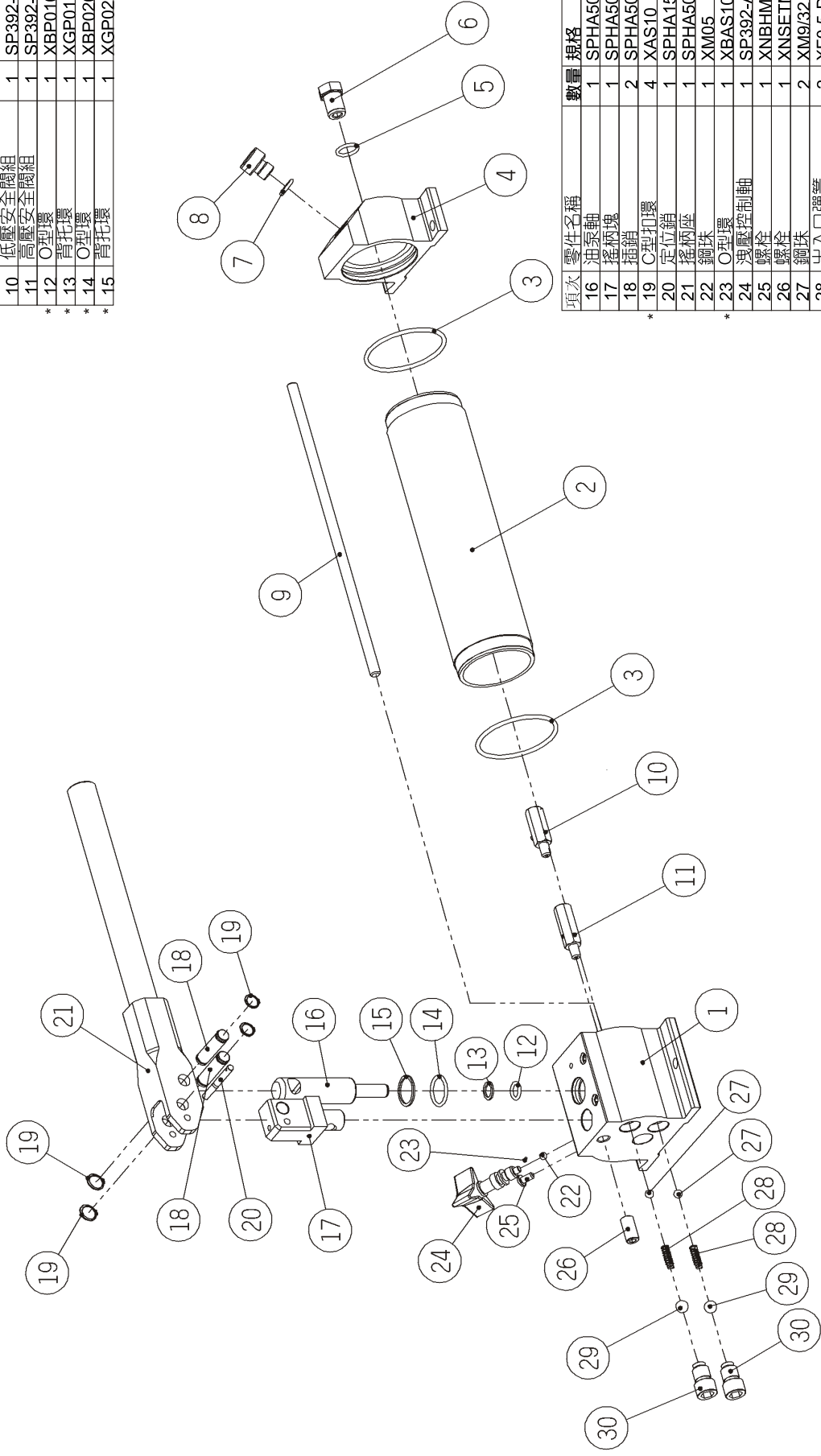
項次	零件名稱	數量	規格
1	爪部組合	1	SPRE553C-AC-C
2	油缸組	1	SPRE553C-BA4
3	標準墊塊	1	XKSPRE553C-B07
4	爪部千斤頂	1	SPRE553C-BA2
5	手動泵	1	SPHA-400
6	針閥	1	SV-82
7	電動泵	1	SPRE553C-AE-D
8	頂升千斤頂	1	SPRE553C-BA1
9	螺栓	2	XNCAP5/16"-2"
10	車台組	1	SPRE553C-AA1



項次	零件名稱	數量	規格
1	油箱	1	SPRE553C-DA1
2	油箱墊片	1	SPRE553C-D08
3	油箱面板	1	SPRE553C-D01
4	螺栓	12	XNCAPM06-16
5	馬達組	1	SPRE553C-M01
6	螺栓	4	XNCAPM06-20
7	過濾器組	1	XLMF-03
8	電源箱組	1	SPE554-A-E1
9	馬達組	1	SPE554-M01
10	螺栓	4	XNCAPM6-40
11	通氣閥螺絲阻	1	SPE2-A-E1
12	電磁閥	1	XEWGZ-3-1-W230
13	螺柱	2	XNCAPM06-40
14	洩壓閥組	1	SPRE553C-AE-DA
15	電磁閥	1	XEHD-3C2-G02-LW-B
16	螺栓	4	XNCAPM05-45
17	出油塊組	1	SPRE553C-AE-DB
18	壓力開關	1	SPG-70-02NL
19	螺柱	2	XNCAPM06-55



項次	零件名稱	數量	規格
1	本體	1	SPHA500-A01
2	油箱	1	SPHA500-A05-1
* 3	O型環	2	XBG060
4	尾蓋	1	SPHA500-A06
* 5	O型環	1	XBP014
6	油箱尾蓋塞頭	1	SPHA500-A04
* 7	O型環	1	XBP011
8	加油螺柱	1	SPHA500-A16
9	油箱螺柱	1	SPHA500-A10-1
10	低壓安全閥組	1	SP392-B04
11	高壓安全閥組	1	SP392-B03
* 12	O型環	1	XBP010A
* 13	背托環	1	XGP010A
* 14	O型環	1	XBP020
* 15	背托環	1	XGP020

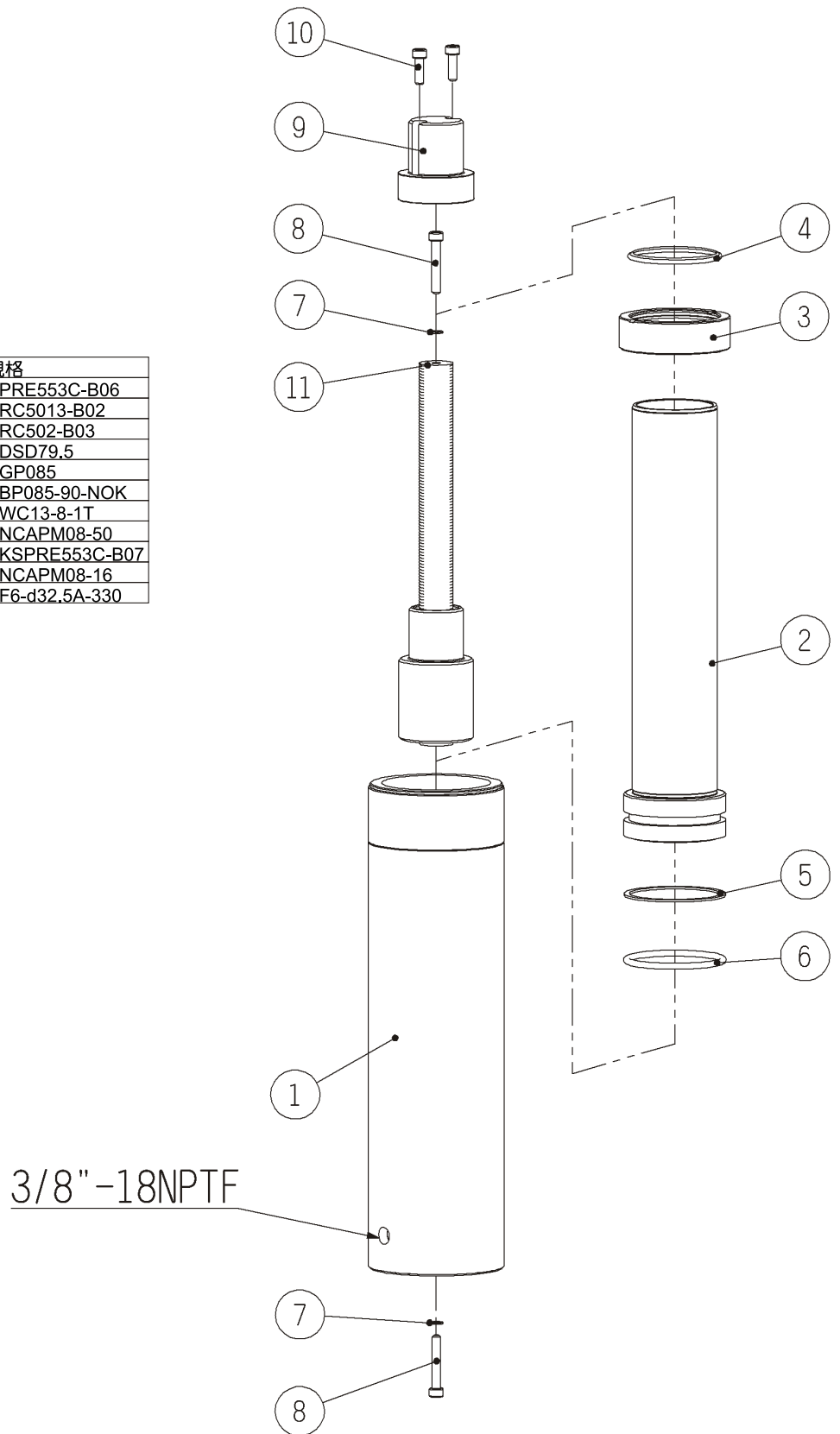


項次	零件名稱	數量	規格
16	油泵軸	1	SPHA500-A07
17	搖柄塊	1	SPHA500-A03
18	插銷	2	SPHA500-A11
* 19	O型扣環	4	XAS10
20	定位銷	1	SPHA1500-A10
21	搖柄座	1	SPHA500-A02
22	鋼珠	1	XM05
* 23	O型環	1	XBAS109
24	洩壓控制軸	1	SP392-A16
25	螺柱	1	XNBHM05-08
26	螺柱	1	XNSEIM10-20
27	鋼珠	2	XM9/32
28	出入口彈簧	2	XFO.5-D6-18L-9T
29	鋼珠	2	XM7/16
30	出入口螺柱	2	SPHA500-A15

* 代表為修理包

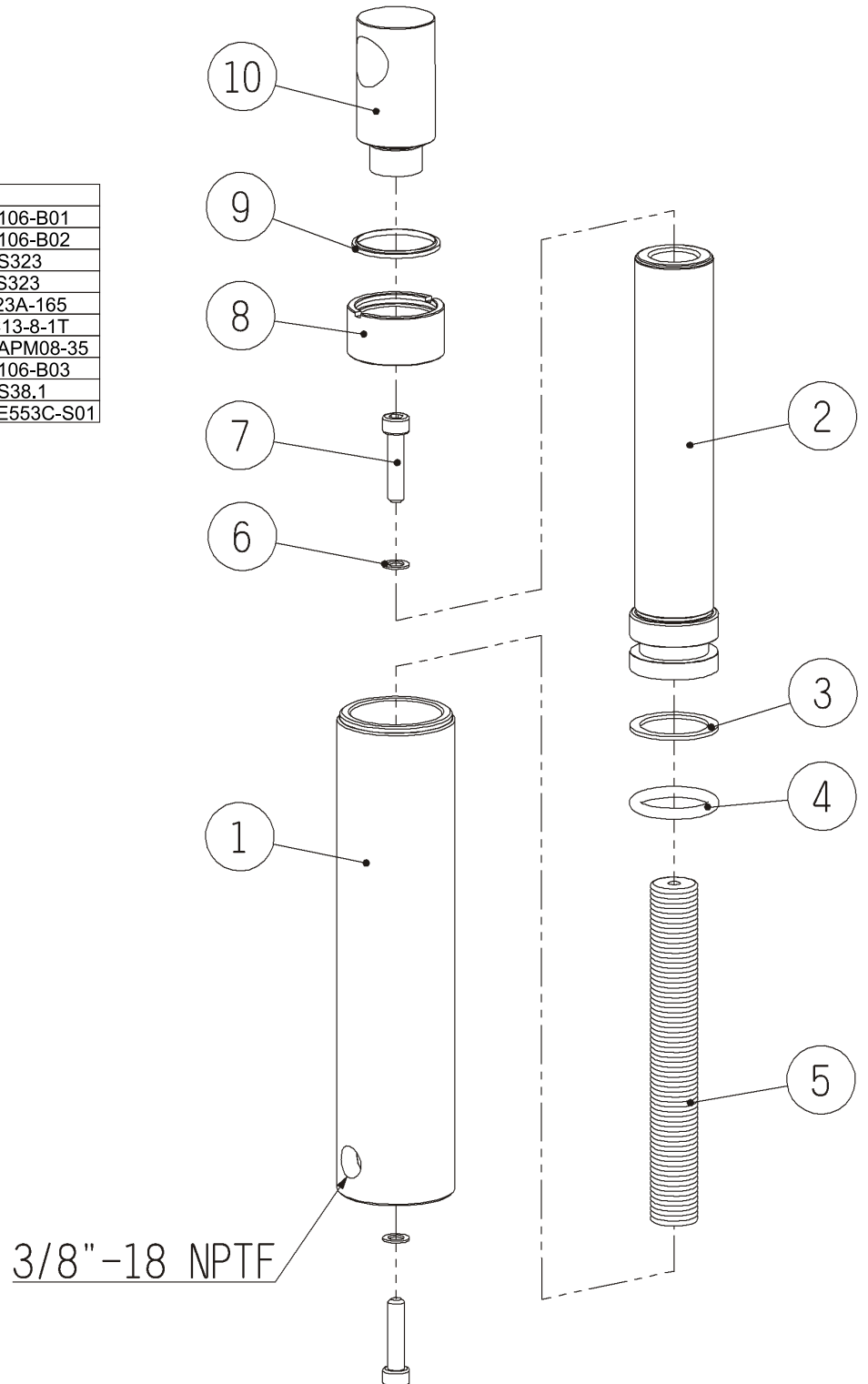
項次	零件名稱	數量	規格
1	油壓缸	1	SPRE553C-B06
2	主軸	1	SRC5013-B02
3	上螺帽	1	SRC502-B03
* 4	防塵環	1	XDSD79.5
* 5	背托環	1	XGP085
* 6	O型環	1	XBP085-90-NOK
* 7	華司	2	XWC13-8-1T
* 8	螺栓	2	XNCAPM08-50
9	螺栓	1	XKSPRE553C-B07
* 10	回縮彈簧組	2	XNCAPM08-16
11	接頭	1	XF6-d32.5A-330

* 代表為修理包



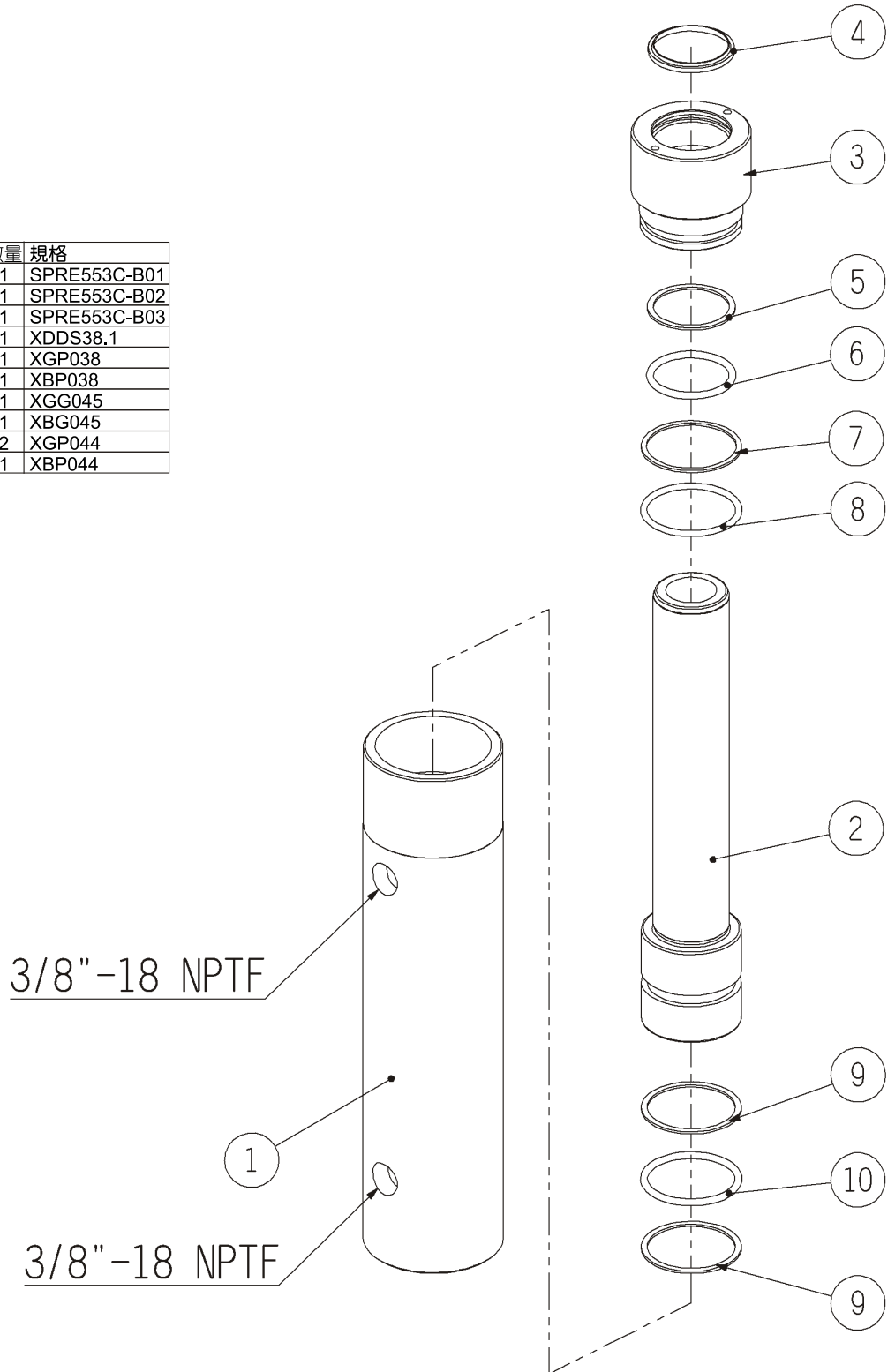
項次	零件名稱	數量	規格
1	油壓缸	1	SRC106-B01
2	主軸	1	SRC106-B02
* 3	背托環	1	XGAS323
* 4	O型環	1	XBAS323
5	回縮彈簧組	1	XFP23A-165
* 6	華司	2	XWC13-8-1T
* 7	螺栓	2	XNCAPM08-35
8	上螺帽	1	SRC106-B03
* 9	防塵環	1	XDDS38.1
10	墊塊	1	SPRE553C-S01

* 代表為修理包

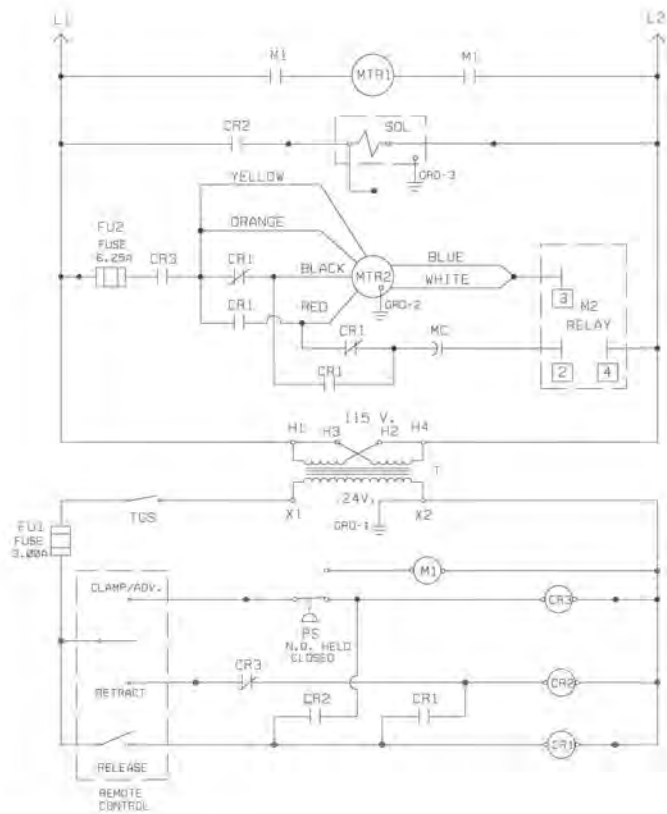


項次	零件名稱	數量	規格
1	油壓缸	1	SPRE553C-B01
2	主軸	1	SPRE553C-B02
* 3	上螺帽	1	SPRE553C-B03
* 4	防塵環	1	XDDS38.1
5	背托環	1	XGP038
* 6	O型環	1	XBP038
* 7	背托環	1	XGG045
8	O型環	1	XBG045
* 9	背托環	2	XGP044
10	O型環	1	XBP044

* 代表為修理包

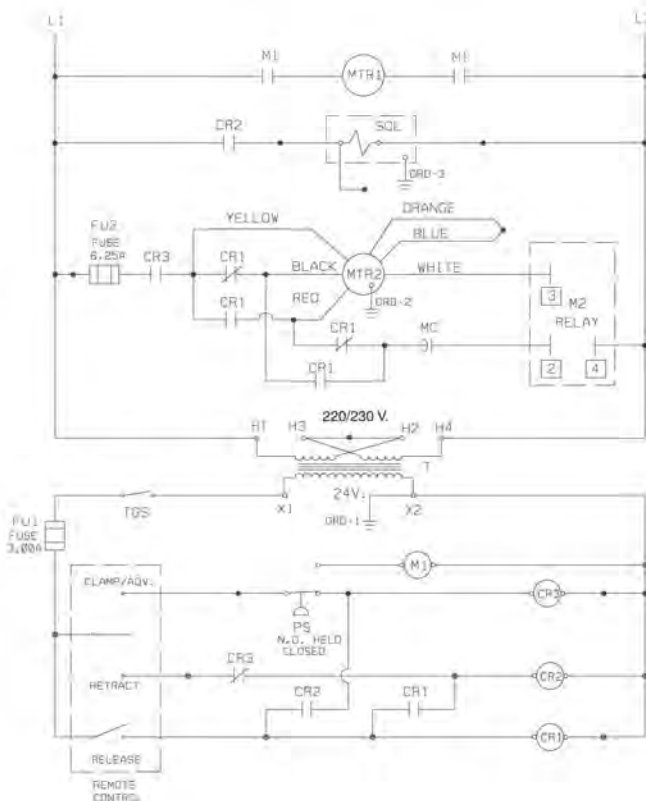


電路圖



! WARNING

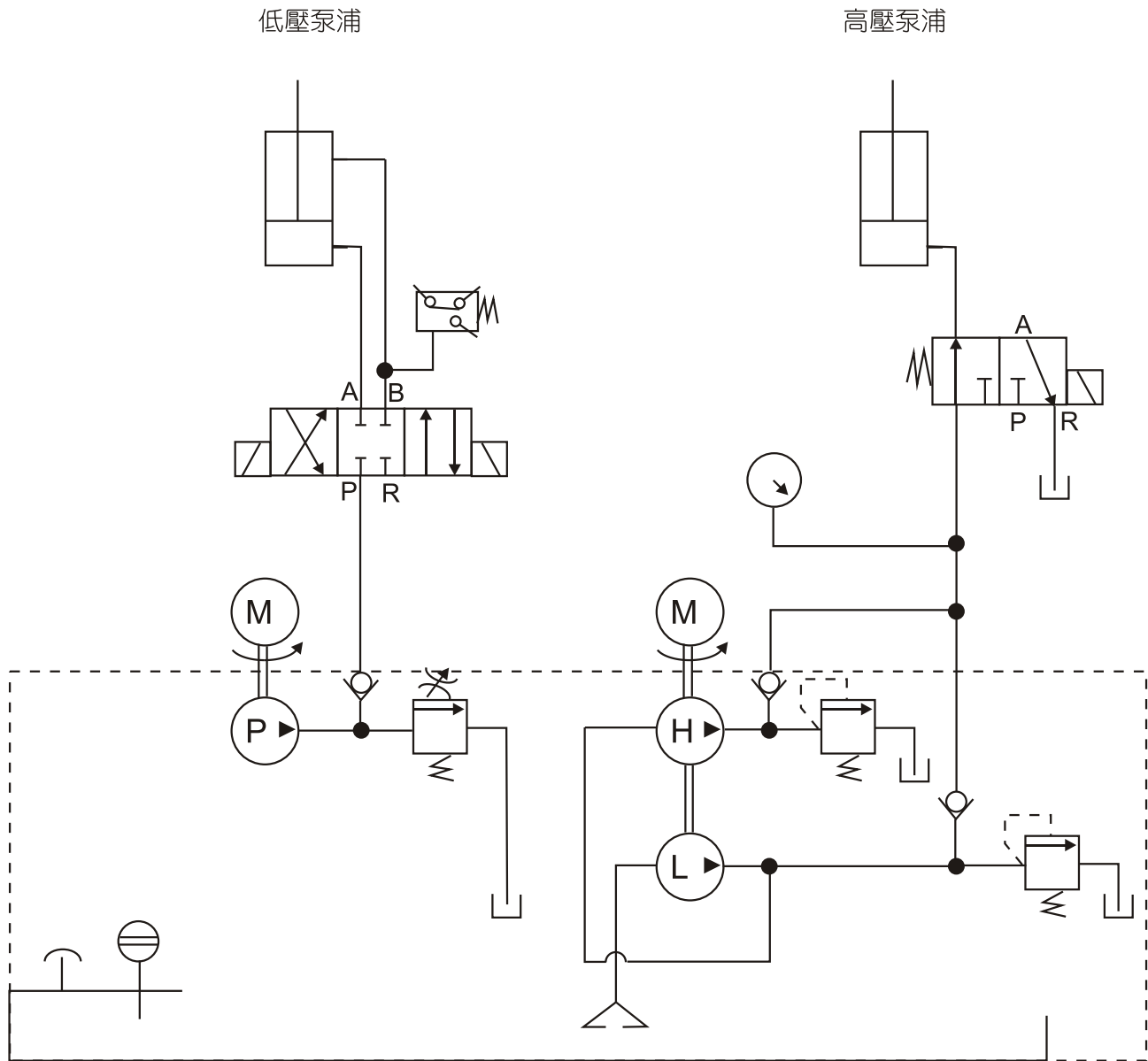
To help avoid personal injury, all electrical work must be done by a qualified electrician.



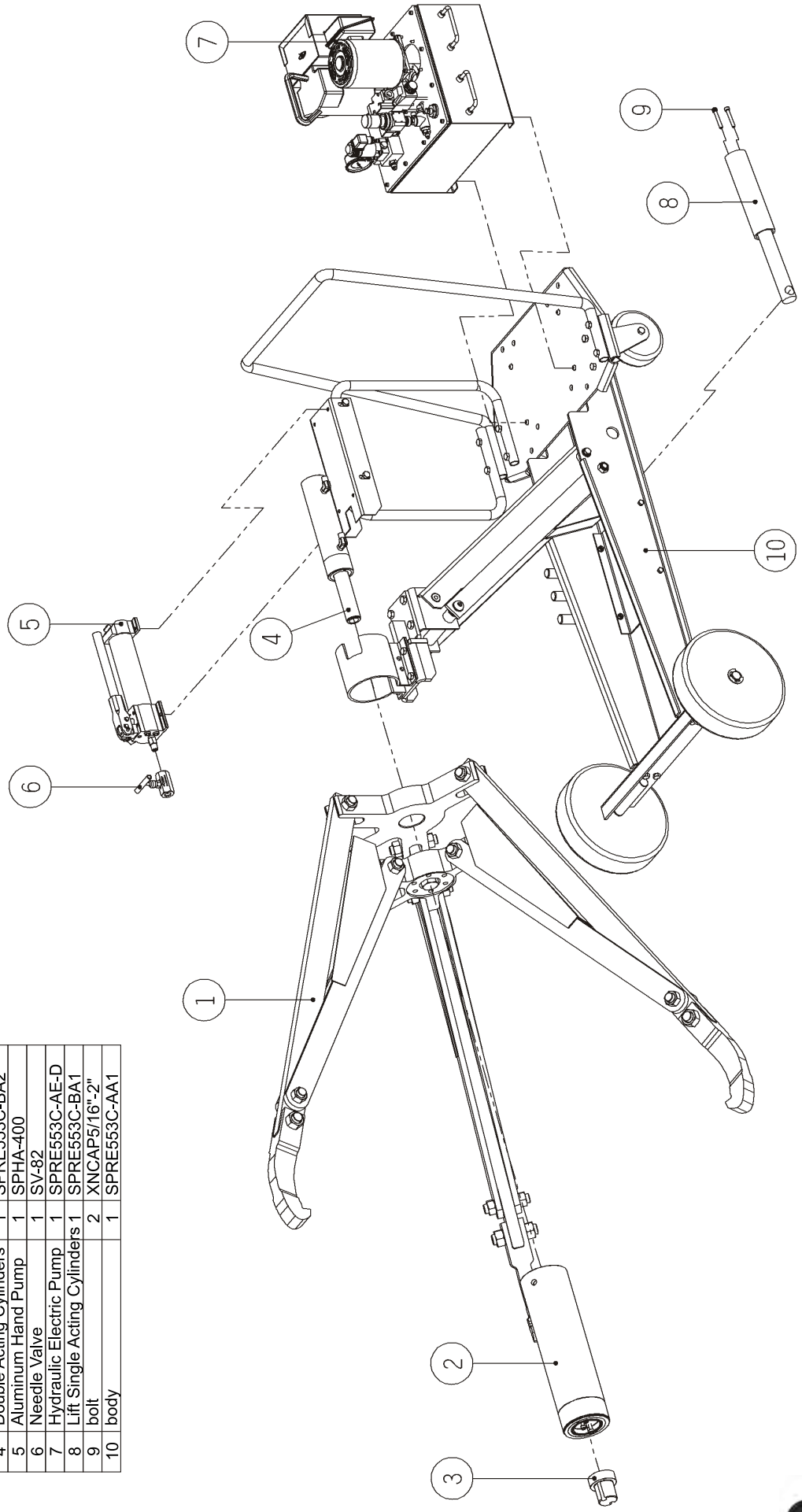
! WARNING

To help avoid personal injury, all electrical work must be done by a qualified electrician.

油路圖



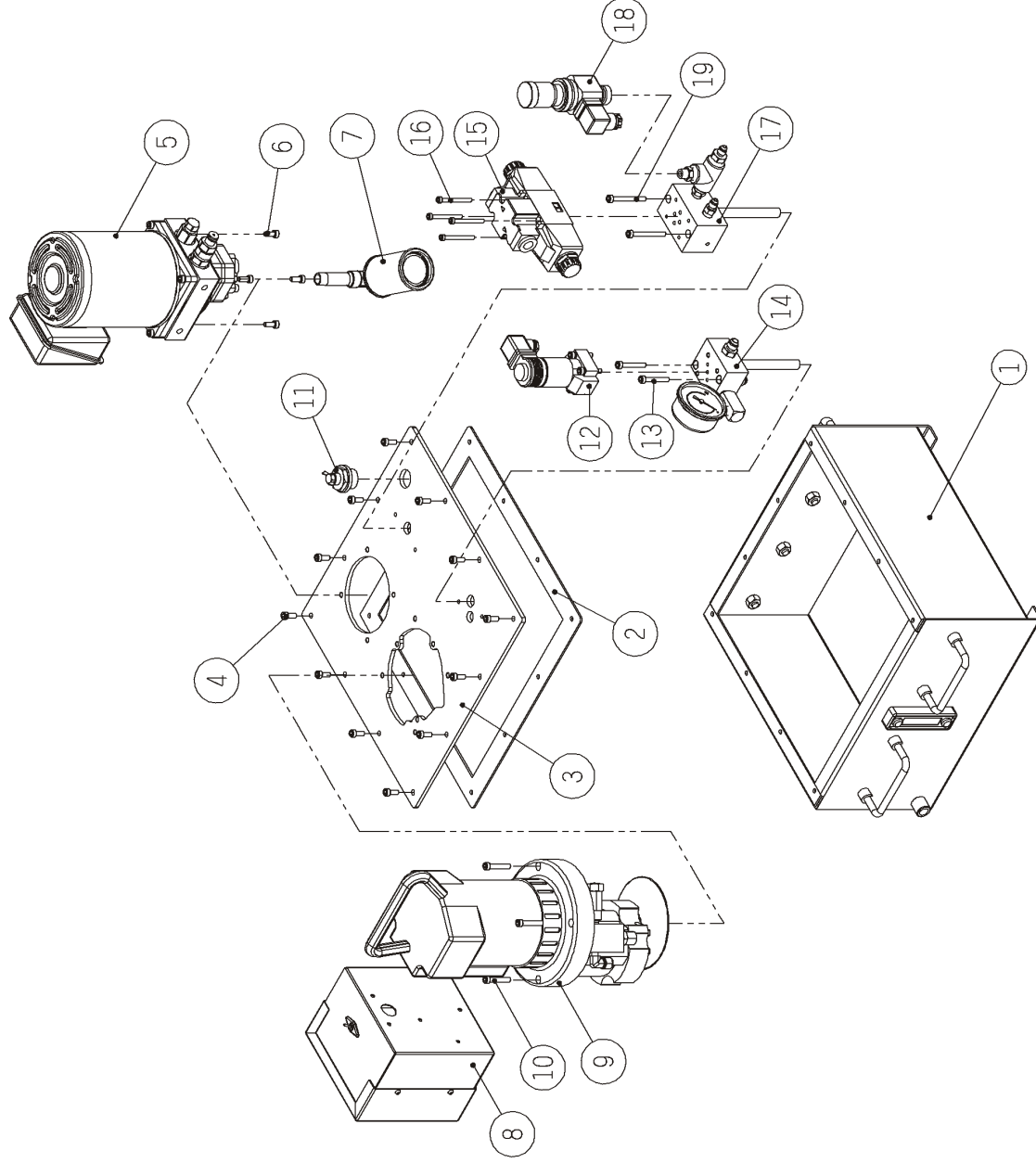
Item	Product	Q'ty	Part No.
1	pawl assembly	1	SPRE553C-AC-C
2	Single Acting Cylinders	1	SPRE553C-BA4
3	saddle	1	XKSPRE553C-B07
4	Double Acting Cylinders	1	SPRE553C-BA2
5	Aluminum Hand Pump	1	SPHA-400
6	Needle Valve	1	SV-82
7	Hydraulic Electric Pump	1	SPRE553C-AE-D
8	Lift Single Acting Cylinders	1	SPRE553C-BA1
9	bolt	2	XNCAP5/16"-2"
10	body	1	SPRE553C-AA1



Instructions for:
Mobile Hydraulic Pullers-Electric Pump

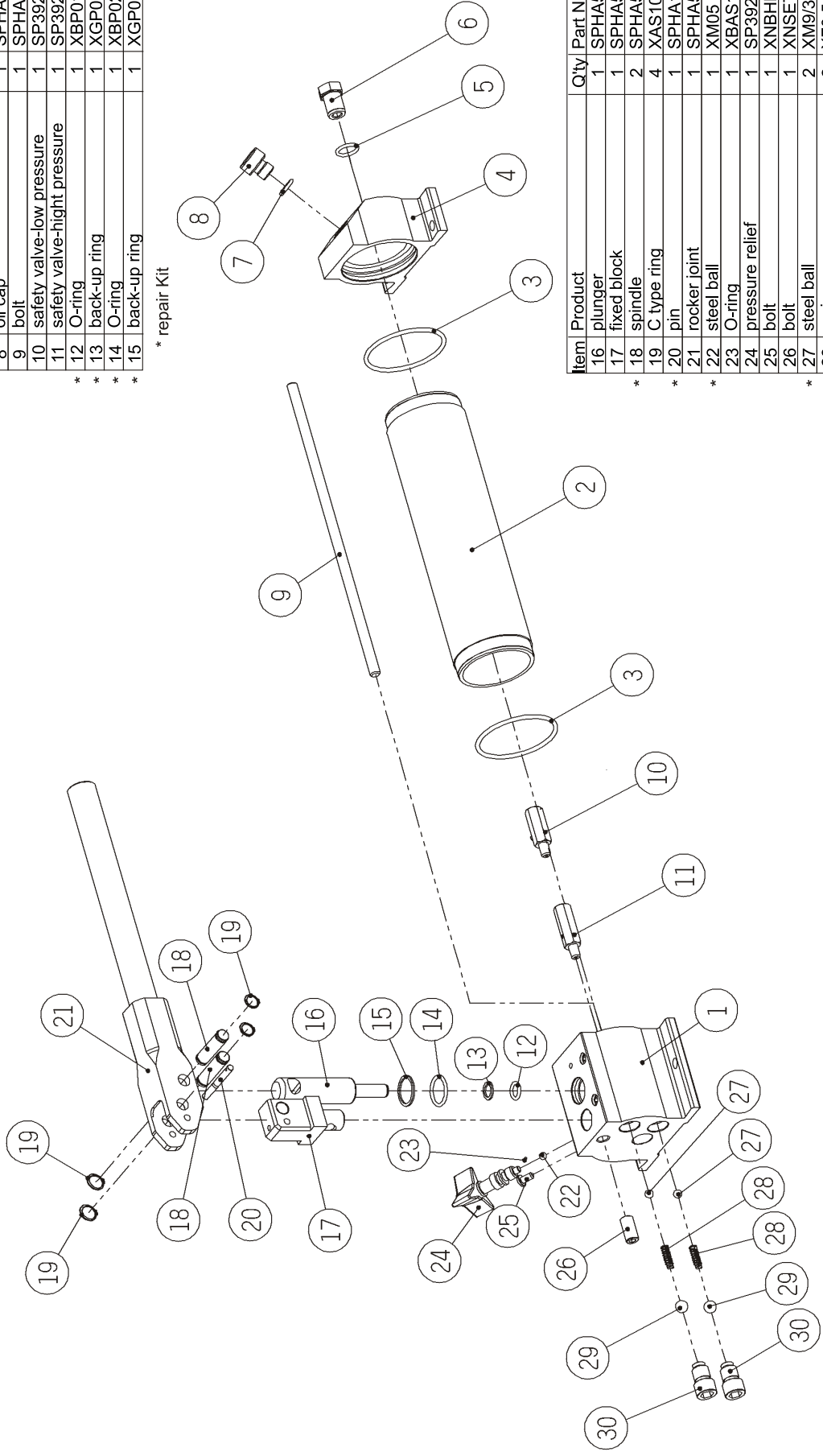
Models : SPE-554TQJ-PT

Item	Product	Q'ty	Part No.
1	oil tank	1	SPRE553C-DA1
2	tank space	1	SPRE553C-D08
3	tank	1	SPRE553C-D01
4	bolt	12	XNCAPM06-16
5	motor	1	SPRE553C-M01
6	bolt	4	XNCAPM06-20
7	Filter	1	XLMF-03
8	power box	1	SPE554-A-E1
9	motor	1	SPE554-M01
10	bolt	4	XNCAPM6-40
11	vent/ oil valve	1	SPE2-A-E1
12	solenoid valve	1	XEWGZ-3-1-W230
13	bolt	2	XNCAPM06-40
14	release valve	1	SPRE553C-AE-DA
15	solenoid valve	1	XEHD-3C2-G02-LW-B
16	bolt	4	XNCAPM05-45
17	oil output block	1	SPRE553C-AE-DB
18	pressure switch	1	SPG-70-02NL
19	bolt	2	XNCAPM06-55



Item	Product	Q'ty	Part No.
1	body	1	SPHA500-A01
2	oil tank	1	SPHA500-A05-1
*	3 O-ring	2	XBG060
4	bottom cover	1	SPHA500-A06
*	5 O-ring	1	XBP014
6	bolt	1	SPHA500-A04
*	7 O-ring	1	XBP011
8	oil cap	1	SPHA500-A16
9	bolt	1	SPHA500-A10-1
10	safety valve-low pressure	1	SP392-B04
11	safety valve-high pressure	1	SP392-B03
*	12 O-ring	1	XBP010A
*	13 back-up ring	1	XGP010A
*	14 O-ring	1	XBP020
*	15 back-up ring	1	XGP020

* repair Kit

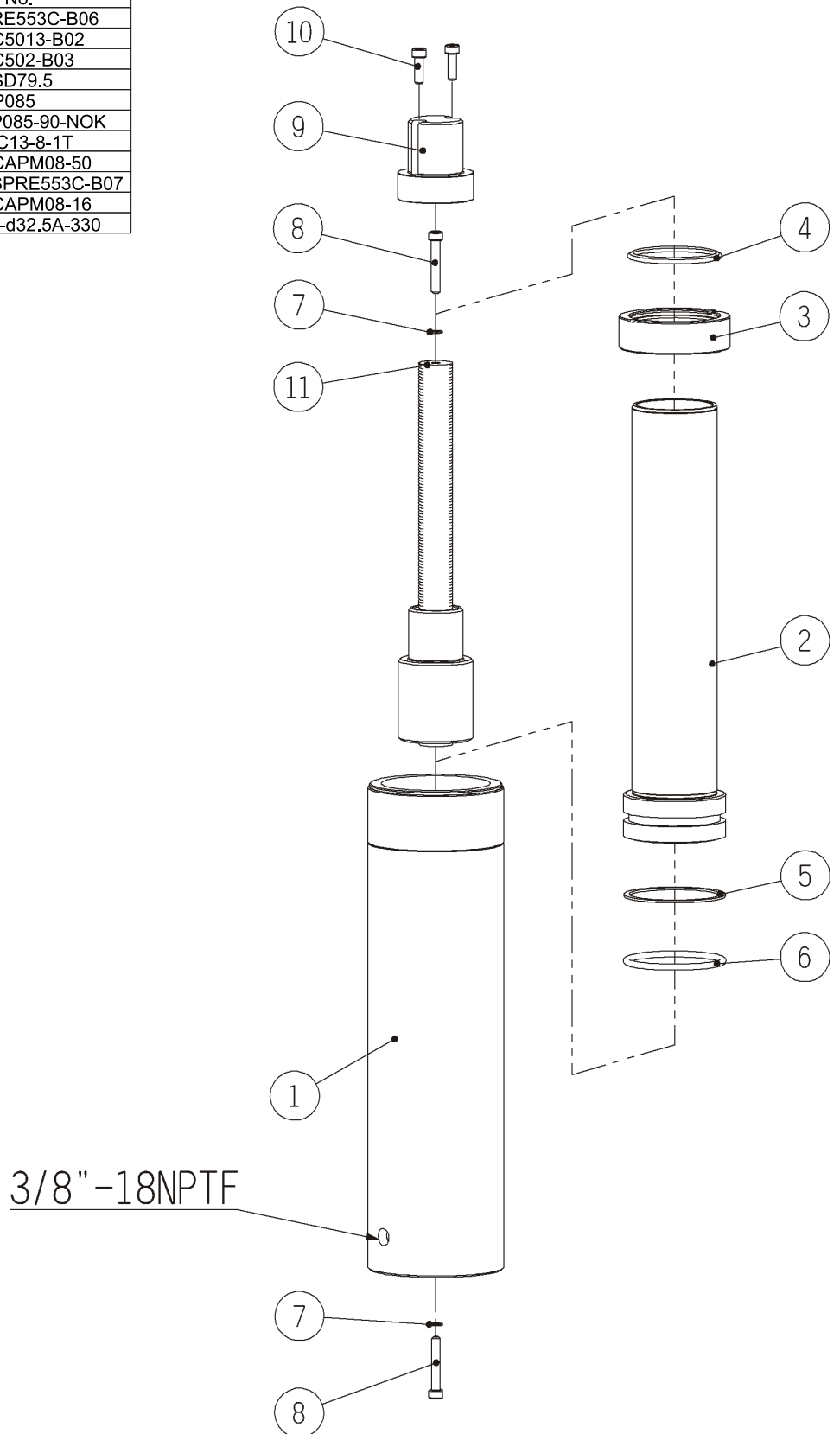


Item	Product	Q'ty	Part No.
16	plunger	1	SPHA500-A07
17	fixed block	1	SPHA500-A03
*	18 spindle	2	SPHA500-A11
19	C type ring	4	XAS10
*	20 pin	1	SPHA1500-A10
21	rocker joint	1	SPHA500-A02
*	22 steel ball	1	XM05
23	O-ring	1	XBAS109
24	pressure relief	1	SP392-A16
25	bolt	1	XNBHM05-08
26	bolt	1	XNSETM10-20
27	steel ball	2	XM9/32
*	28 spring	2	XF0.5-D6-18L-9T
*	29 steel ball	2	XM7/16
*	30 bolt	2	SPHA500-A15

* repair Kit

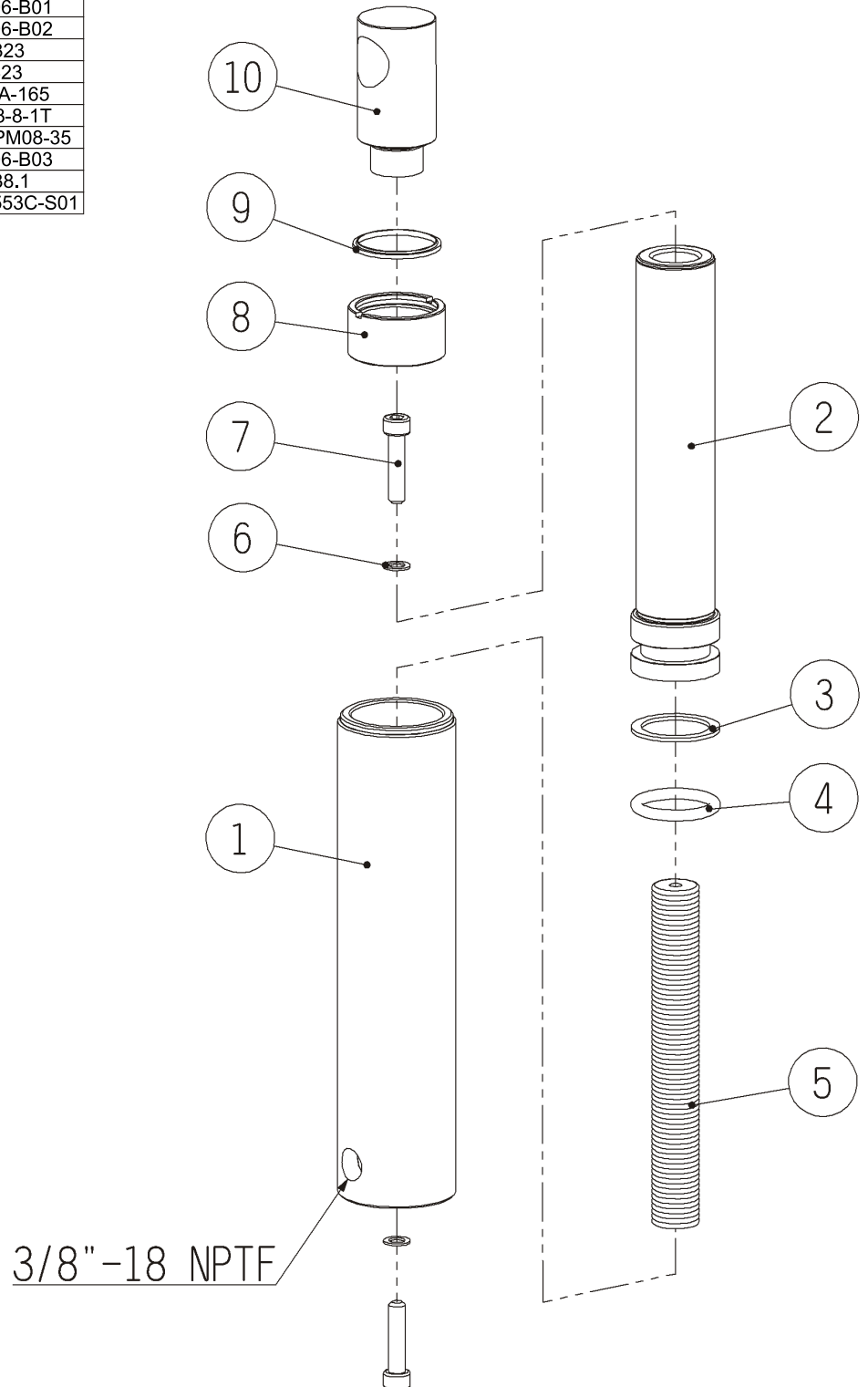
Item	Product	Q'ty	Part No.
1	cylinder	1	SPRE553C-B06
2	plunger	1	SRC5013-B02
3	stop ring	1	SRC502-B03
* 4	wipers	1	XDSD79,5
* 5	back-up ring	1	XGP085
* 6	o-ring	1	XBP085-90-NOK
* 7	cu washer	2	XWC13-8-1T
* 8	bolt	2	XNCAPM08-50
9	saddle	1	XKSPRE553C-B07
* 10	bolt	2	XNCAPM08-16
11	spring component	1	XF6-d32,5A-330

* Repair Kit



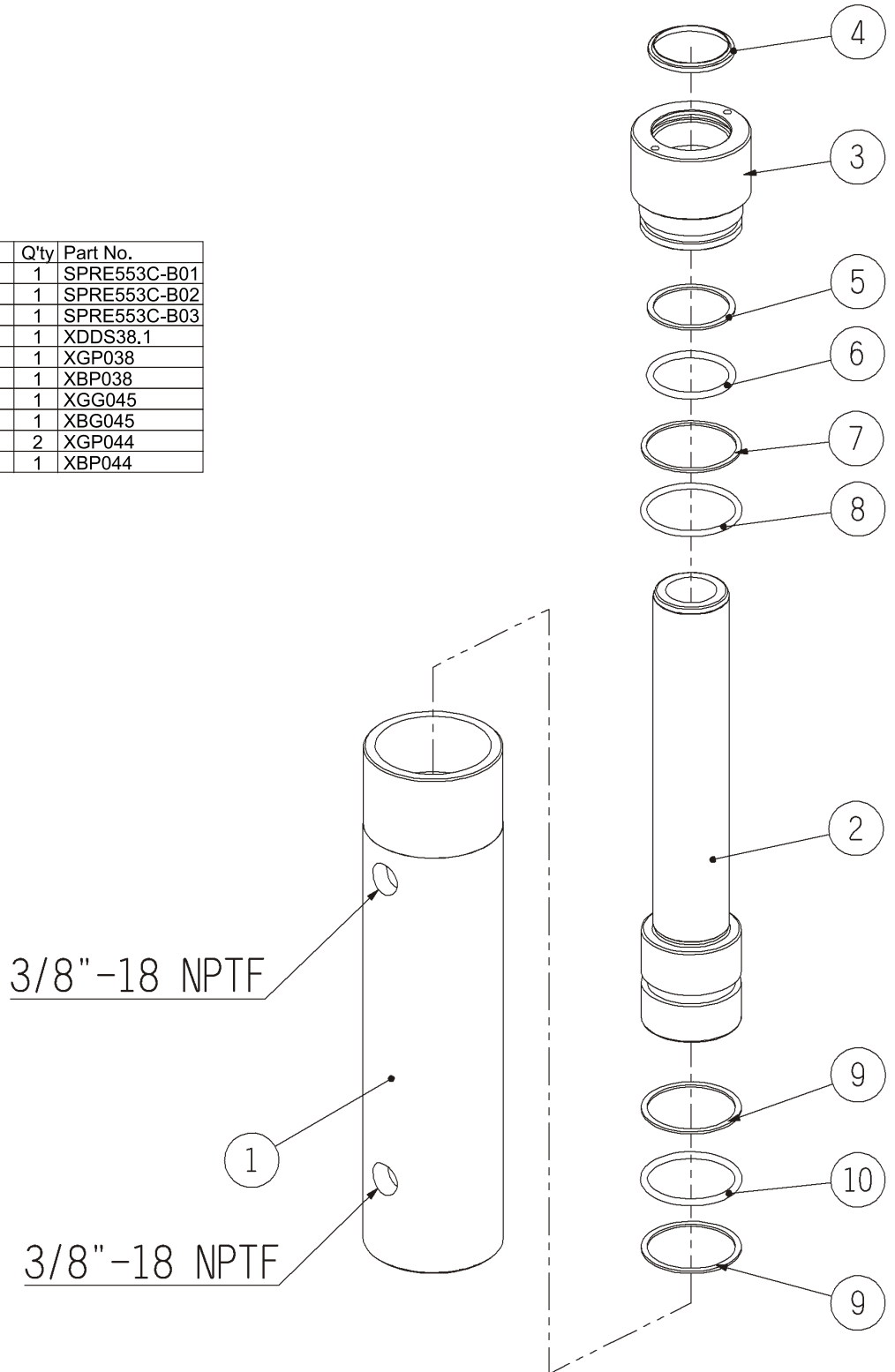
Item	Product	Q'ty	Part No.
1	cylinder	1	SRC106-B01
2	plunger	1	SRC106-B02
* 3	back-up ring	1	XGAS323
* 4	o-ring	1	XBAS323
5	spring component	1	XFP23A-165
* 6	cu washer	2	XWC13-8-1T
* 7	bolt	2	XNCAPM08-35
8	stop ring	1	SRC106-B03
* 9	wipers	1	XDDS38.1
10	saddle	1	SPRE553C-S01

* Repair Kit

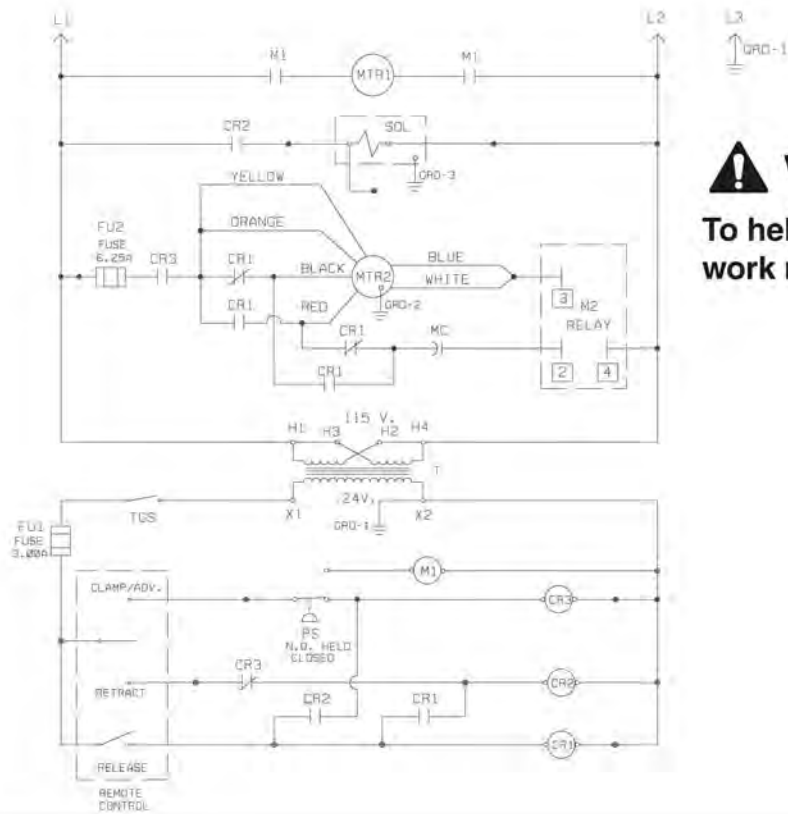


Item	Product	Q'ty	Part No.
1	cylinder	1	SPRE553C-B01
2	plunger	1	SPRE553C-B02
3	stop ring	1	SPRE553C-B03
* 4	wipers	1	XDDS38.1
* 5	back-up ring	1	XGP038
* 6	o-ring	1	XBP038
* 7	back-up ring	1	XGG045
* 8	o-ring	1	XBG045
* 9	back-up ring	2	XGP044
* 10	o-ring	1	XBP044

* Repair Kit

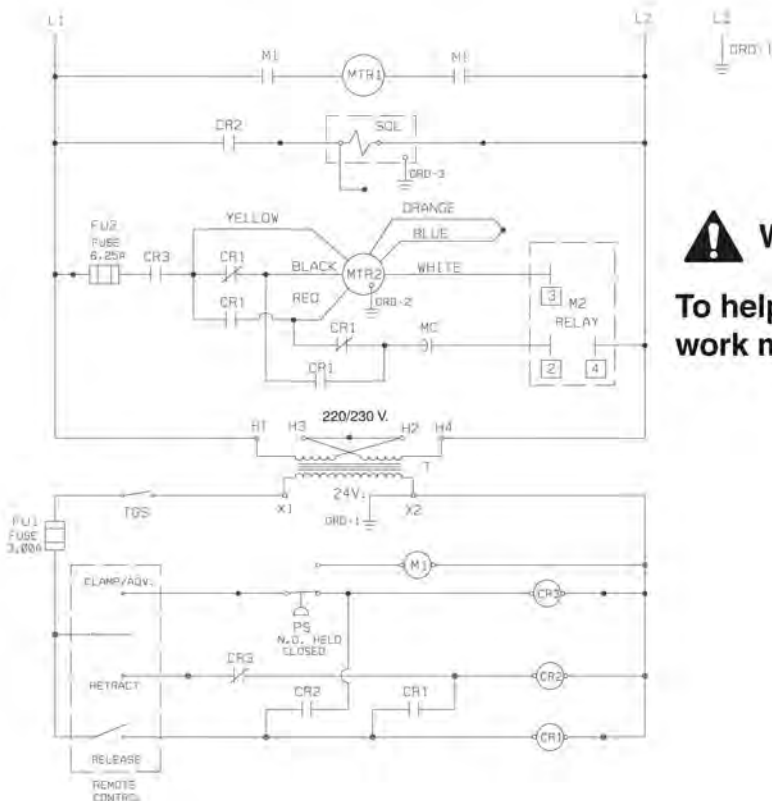


Circuit



! WARNING

To help avoid personal injury, all electrical work must be done by a qualified electrician.



! WARNING

To help avoid personal injury, all electrical work must be done by a qualified electrician.

Oil path drawing

Low pressure pump

High pressure pump

